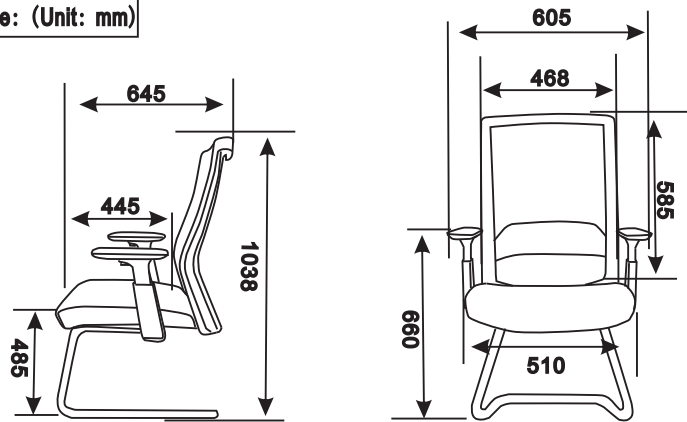


ASSEMBLY INSTRUCTIONS

BEFORE USE AND ASSEMBLY OF THIS PRODUCT, PLEASE READ INSTRUCTIONS CAREFULLY

EM5253-BLK

Product Size: (Unit: mm)



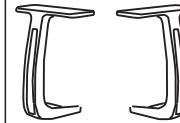
A*1



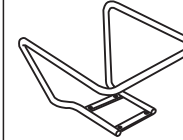
B*5



C*1



D*1



E*4(M8*35)

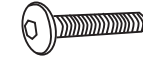


M8*22*2

F*4(M6*25)



G*6(M6*40)

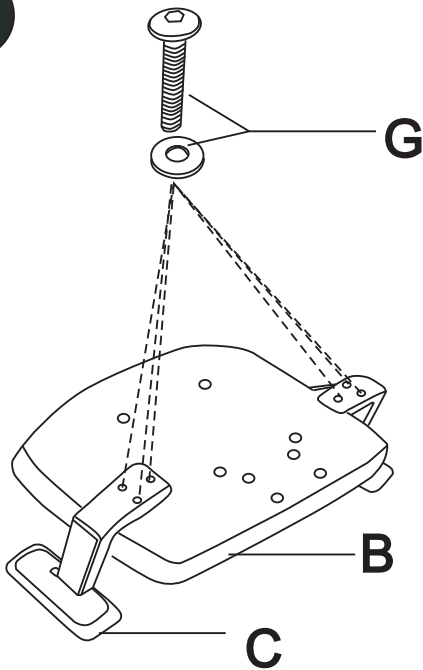


M6*15*1.5

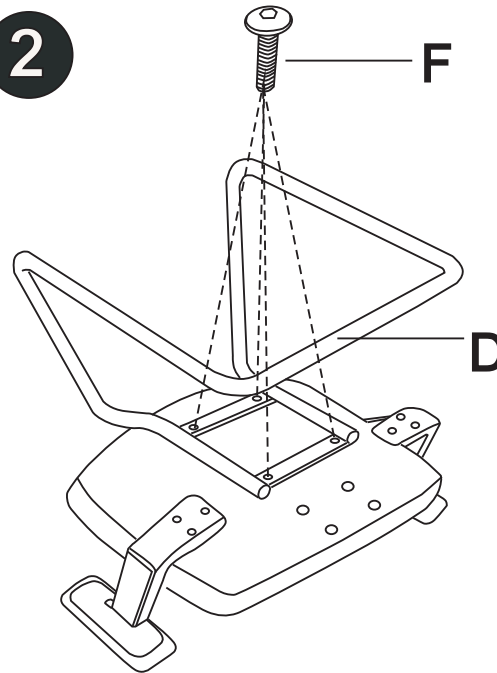
H*1



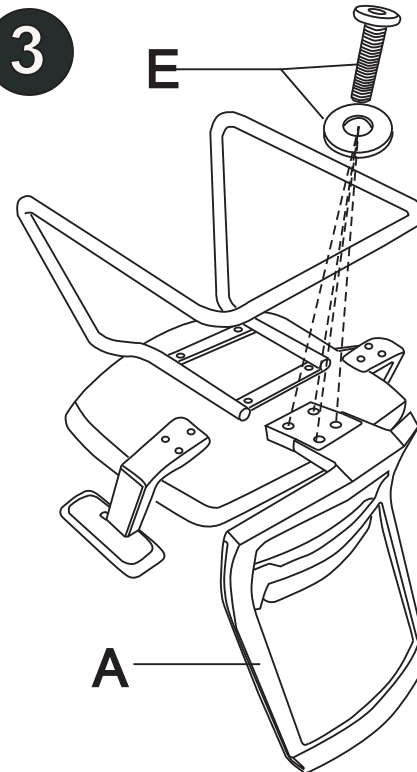
1



2



3



4

