

Slim Profile Dual Monitor Arm Mount

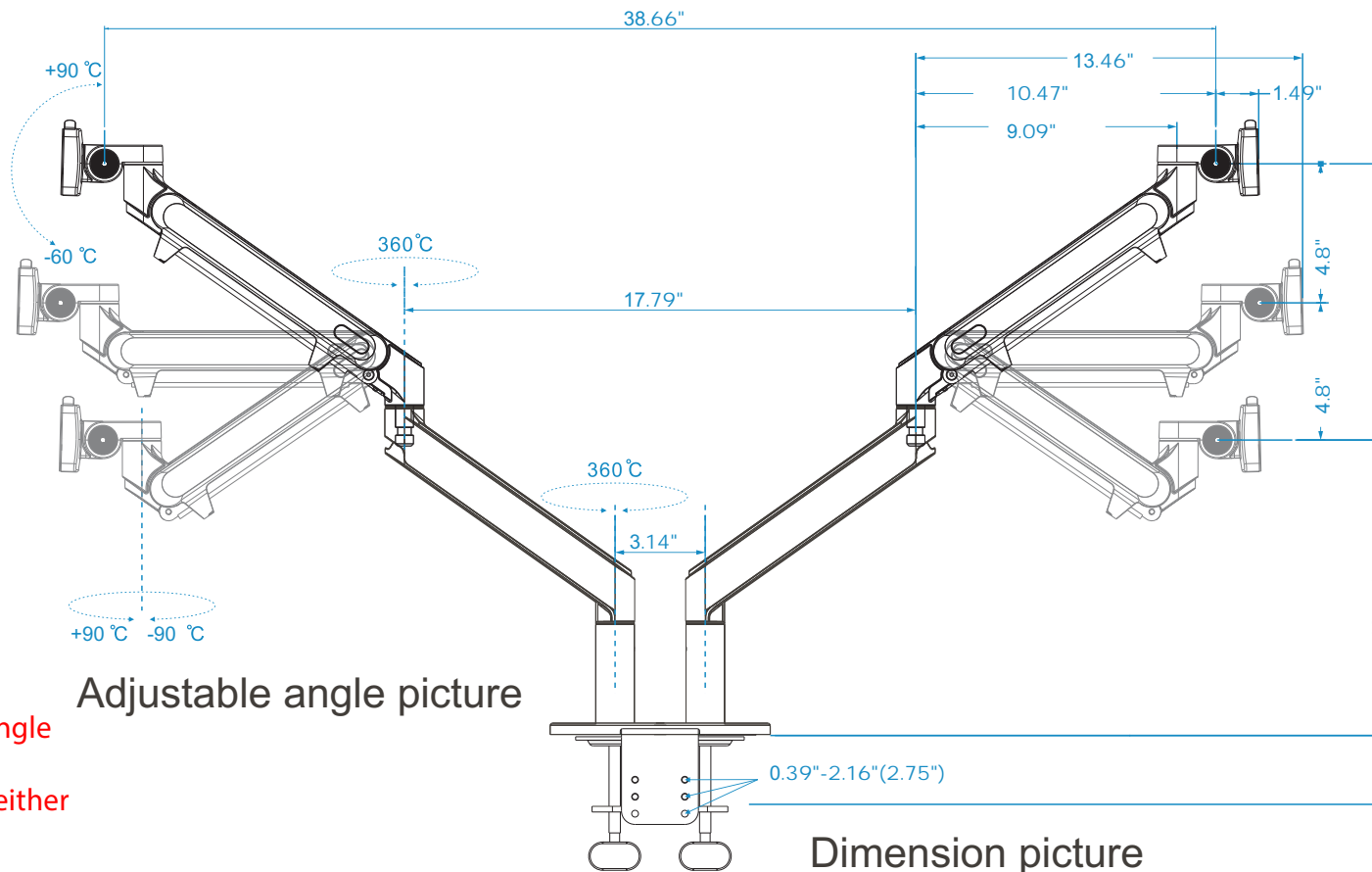
OFD-206S - Clamp Mount, Silver



- Built-in wire management
- Pneumatic cylinder adjustment
- Monitor mount removable for easy installation

specification

										Desk thickness (mm)	
Screen size	Load weight (kg)	Adjust height (mm)	Pitch angle	Horizontal view angle	Swivel angle	VESA	Packing details(mm)	N.W.(kg)	G.W.(kg)	Desk hole (MM)	Clamp (MM)
≤ 32"	1.5-9	244	+90°~ -55°	±90°	360°	75*75 100*100	Inner:45*36*12 Carton:47*39*52 Qty/Ctn:4/1	6	6,7	80	70



- Effortlessly adjust the angle and focal depth of your flat-screen monitor for either seated or standing applications