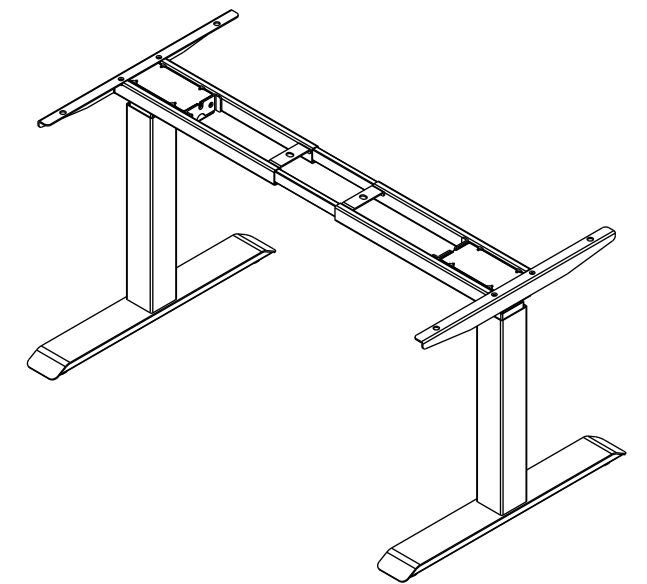
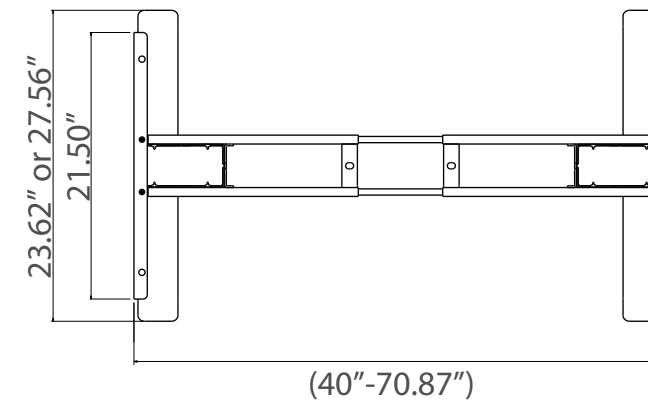
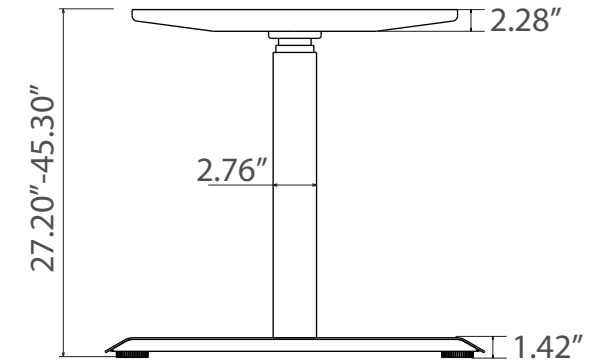
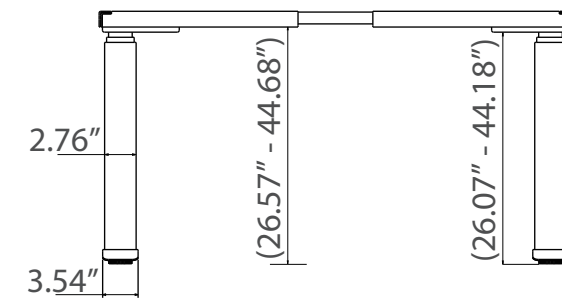


## OFD-CI2ELBASE-A- 2 Stage, Dual Motor Electric Height Adjustable Base

## OFD-CI2ELBASE-A- 2 Stage, Dual Motor Electric Height Adjustable Base

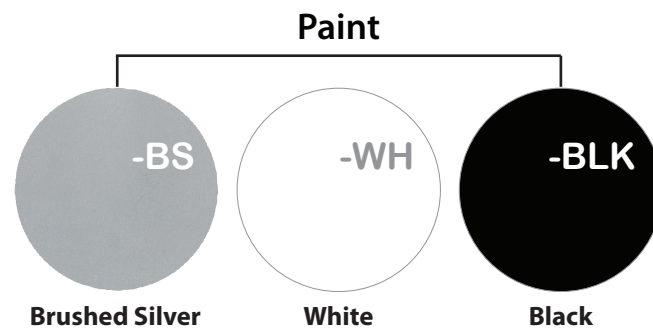


(-BS) Brushed Silver



3 Memory Controller with 2 USB Ports

(Optional Casters)



Smart L-type Products Automatic Lifting

Noise Level 45db

Warranty Period Lifetime Limited



RoHS

TYPE	DATA
Leg Shape	Square
Frame Height Adjustable Range	27.20" - 45.30" (Top adds 1.1")
Frame Adjustable Range	W(40-70.87")*D(21.5")
Foot Length Size (2 Options)	23.62" or 27.56"
Speed	1.6" /second
Maximum Lifting Capacity	264 lbs
Input	100-240V