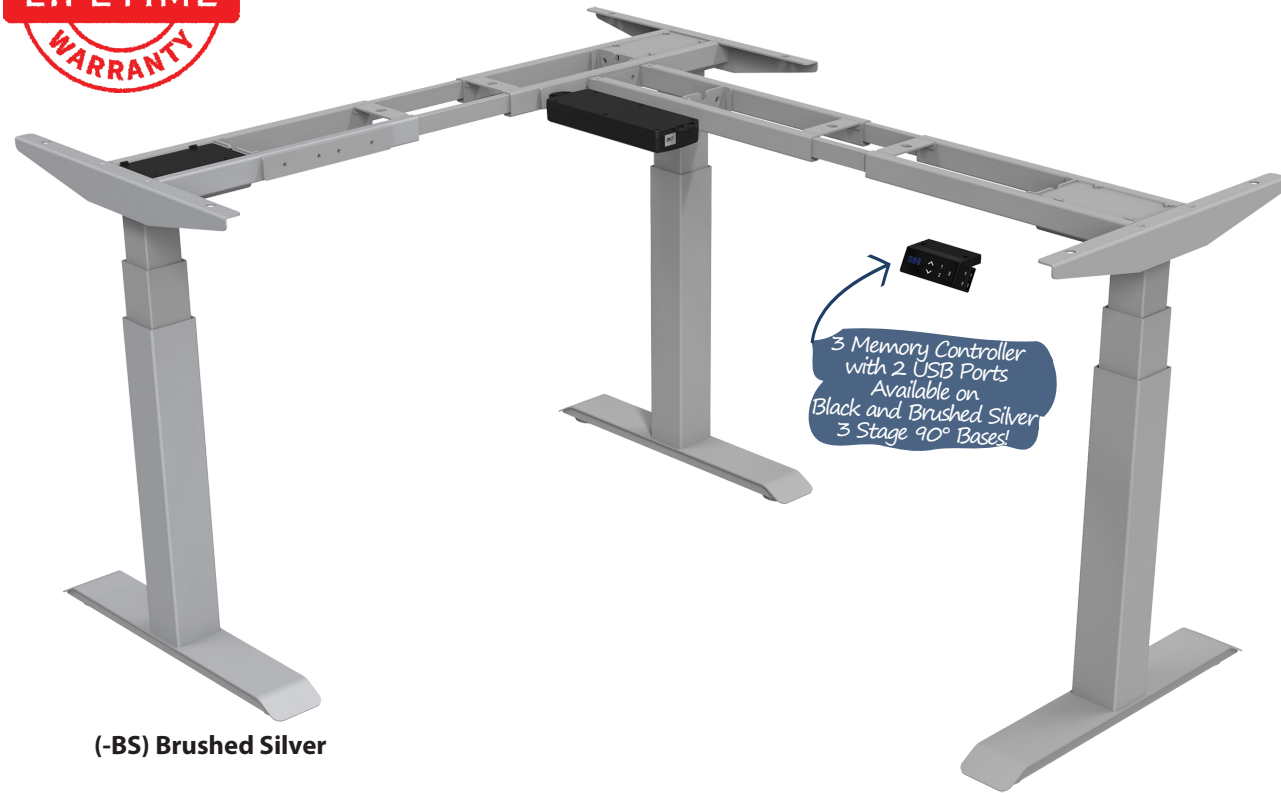


## OFD-CI3ELBASE-90- 3 Stage 90° Electric Height Adjustable Base

## OFD-CI3ELBASE-90- 3 Stage 90° Electric Height Adjustable Base



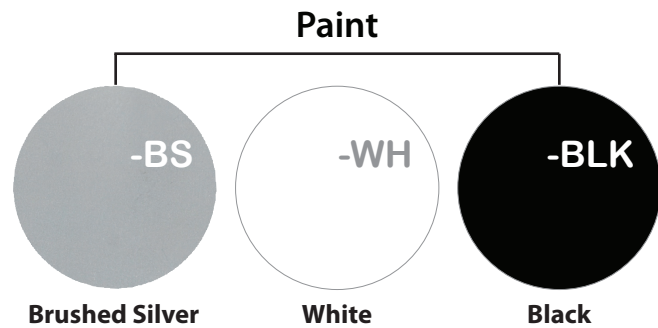
(-BS) Brushed Silver

3 Memory Controller with 2 USB Ports Available on Black and Brushed Silver 3 Stage 90° Bases!



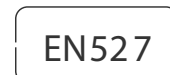
**4 Memory Controller**  
Available on White and Brushed Silver 3 Stage 90° Bases

Smart L-type Products Automatic Lifting

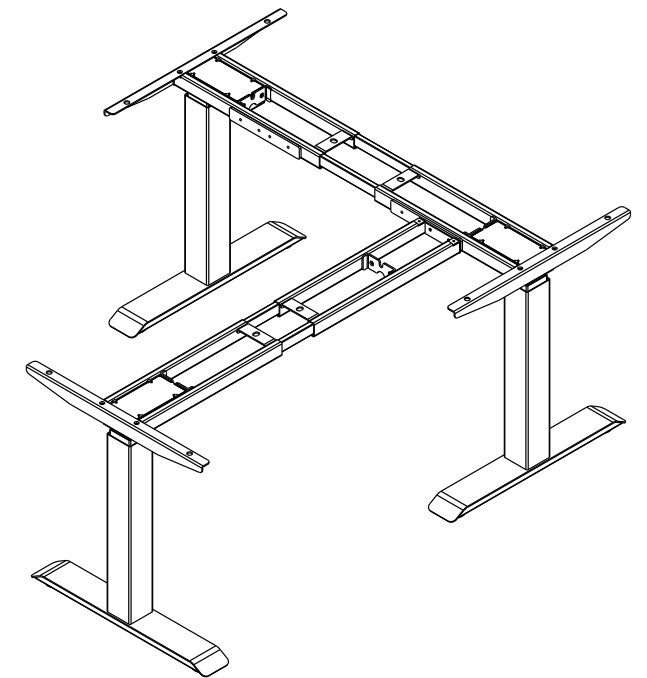
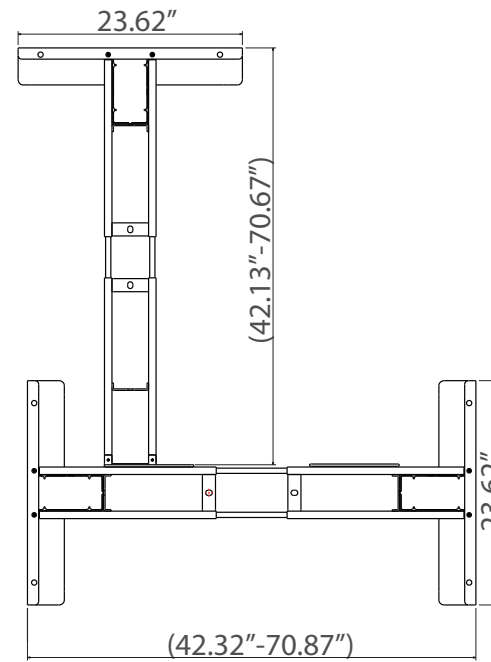
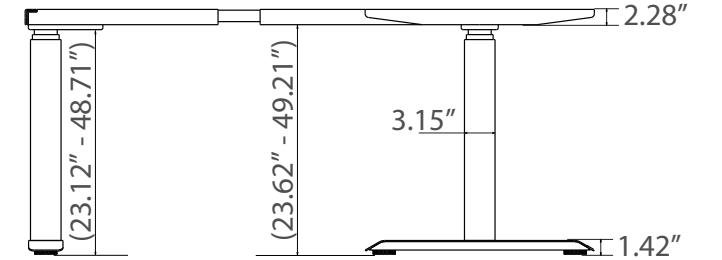
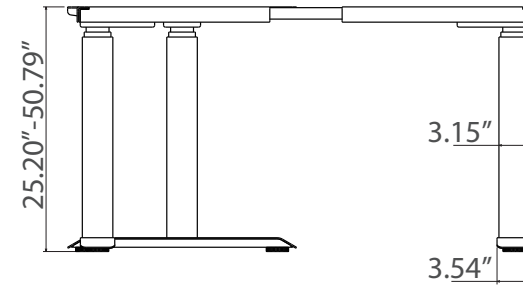


Noise Level 45db

Warranty Period Lifetime Limited



RoHS



TYPE	DATA
Leg Shape	Square
Frame Height Adjustable Range	25.20" - 50.79" (Top adds 1.1")
Frame Adjustable Range	W(42.13-70.67")+D(42.32-70.87")*D(23.62")
Foot Length Size	23.62"
Speed	1.6" /second
Maximum Lifting Capacity	330 lbs
Input	100-240V