

Lumi Executive Chair

OPERATING INSTRUCTIONS

1. To Adjust Seat Height:

While seated, lean forward and reach under the right side of the chair to find the handle. Flip the handle down and raise your body up slightly to allow the chair to rise to the desired height. To lower the seat, flip the handle down while applying more weight downward on the seat. The chair will descend until the handle is released or the chair reaches the bottom position.

2. To Operate Tilt Lockout:

Lean back to allow the chair to tilt backwards. Press the button on the height adjustment handle to lock the chair angle while the desired position is reached. Once you want to release the mechanism from the lock position, press the button (If press the button, apply more weight backward onto the backrest cushion and then release, the backrest cushion will come back to normal position.)

Note: The force of the backrest can adjust automatically to the individual weight.

3. To Adjust Seat Depth:

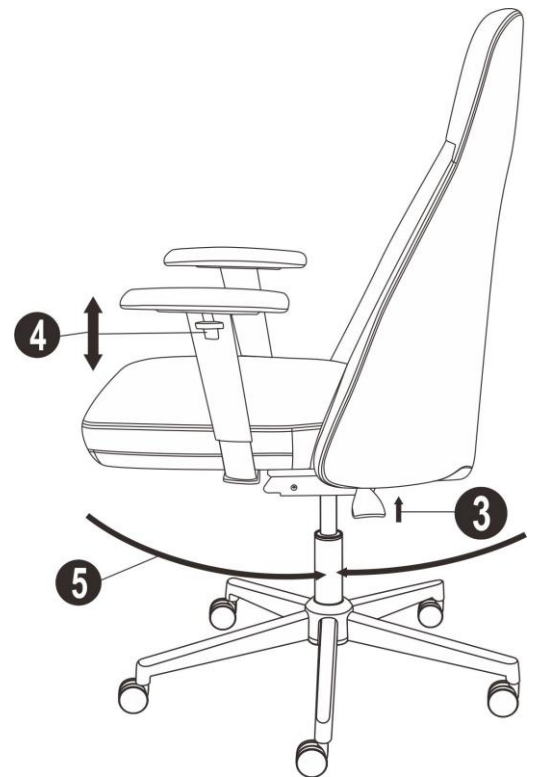
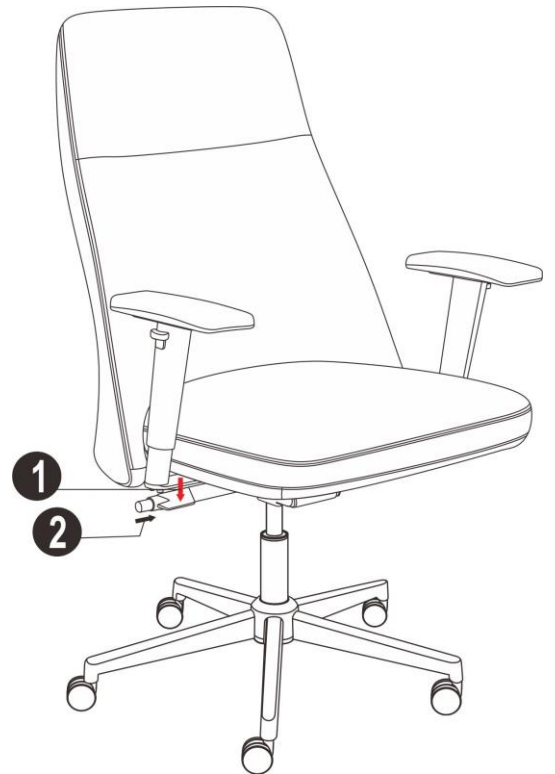
Reach under the left side of the chair to find the handle. Lift the handle and adjust the seat depth short enough to enable your legs to move freely under the chair. To adjust seat depth, lift the handle and slide the seat into the preferred position. Located desired position and release handle to lock.

4. To Adjust Arm Height:

Pull up the buttons and hold to allow the arms to move up and down freely and then release the button once the desired height is reached.

5. 360° Swivel:

360° seat swivel.



Lumi Executive Chair

PARTS LIST

Part #	Description	Quantity
1.	Casters	5
2.	5 Star Base	1
3.	Gas Lift	1
4.	Seat Plate	1
5.	Seat Cushion	1
6A.	Left Arm	1
6B.	Right Arm	1
7.	Back Cushion	1
8.	Back Support Plate (already attached to the back cushion)	1
9.	1-1/4" Big Screws	2
10.	1" Big Screws	2
11.	3/4" Big Screws	3
12.	1" Small Screws	6
13.	Allen Key	1

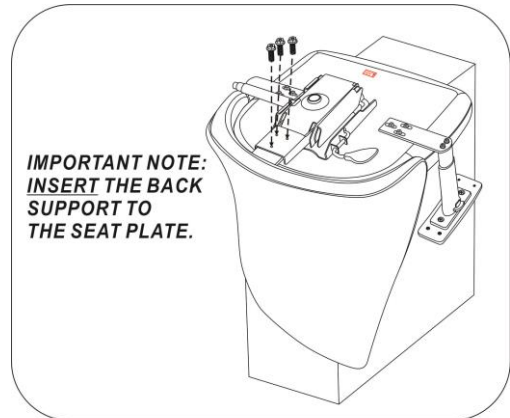
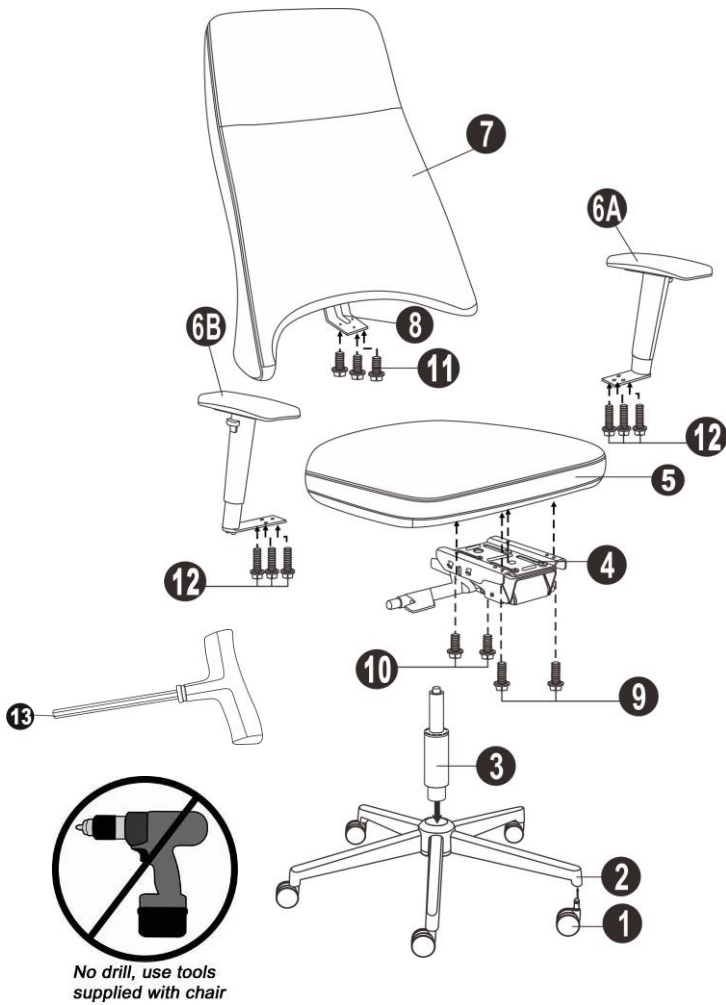


Diagram 1

ASSEMBLY INSTRUCTIONS

- Remove all parts from carton and separate them into part number groups as indicated in the parts list.
- To begin assembly, place 5 Star Base (2) upside down and insert Casters (1) into bottom of Base (2).
- Turn Base (2) right side up on the floor and insert Gas Lift (3) into center hole on Base (2).
- Attach Seat Plate (4) onto the bottom of Seat Cushion (5) (with front of seat plate facing front of seat cushion) by using 1-1/4" Big Screws (9) for front holes of Seat Plate (4) and 1" Big Screws (10) for rear holes of Seat Plate (4) and **tighten screws**.
- Insert Back Support Plate (8) into the rear hole of the Seat Plate (4) as shown in Diagram 1. Then secure with 3/4" Big Screws (11) as shown in Diagram 1 and **tighten screws**.
- Tighten the brackets of Arms (6A & 6B) onto the bottom of the Seat Cushion (5) (with front of arms facing the front of seat cushion) by using 1" Small Screws (12). **Tighten the screws completely**.
- Place the assembled chair on top of Gas Lift (3) and press down until fully engaged.
- Periodically (every 90 days) tighten all screws in the chair.

ATTENTION: Make certain all screws are fully tightened before using chair.

Model Number: OFD-LUM552-BLK

DORMEO®