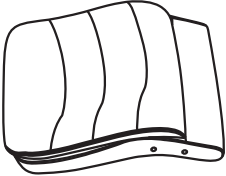

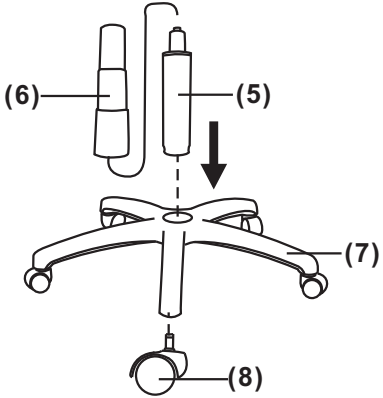
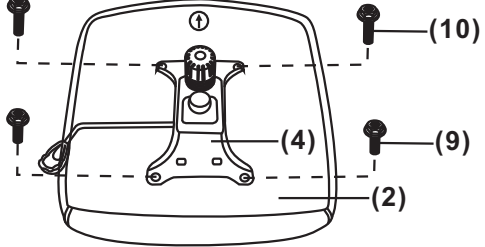


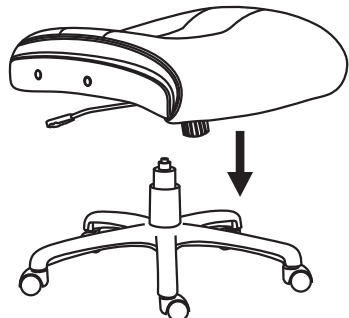
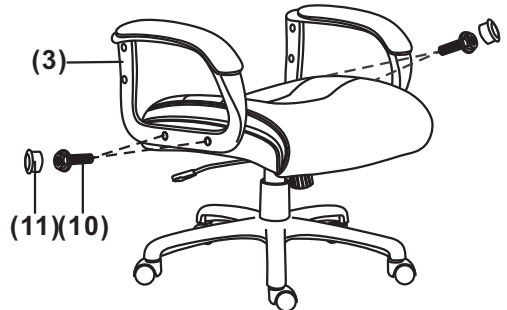


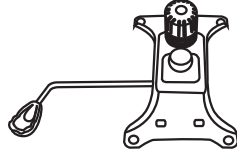



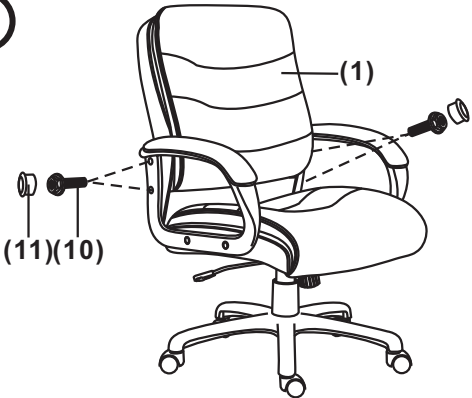

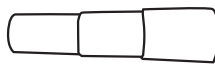


<p>(1)X1</p> 	<p>(7)X1</p> 	<p>①</p> 	<p>②</p> 
<p>(2)X1</p> 	<p>(8)X5</p> 	<p>③</p> 	<p>④</p> 
<p>(3)X1(L)X1(R)</p> 	<p>(9)X2</p> 	<p>(4)X1</p> 	<p>(10)X10</p> 
<p>(5)X1</p> 	<p>(11)X8</p> 	<p>⑤</p> 	<p>⑥</p> 
<p>(6)X1</p> 	<p>(12)X1</p> 