

POWER IT BENCHING

1. ATTACH CIBLOCK PLATE TO BRACKETS AS SHOWN IN FIG. A USING PROVIDED HARDWARE.
2. ATTACH COMPLETED ASSEMBLY TO UNDERSIDE OF WORKSURFACE SHOWN IN FIG. B USING PROVIDED HARDWARE. (CENTER BRACKET/PLATE ON WORKSURFACE)

FIG. A

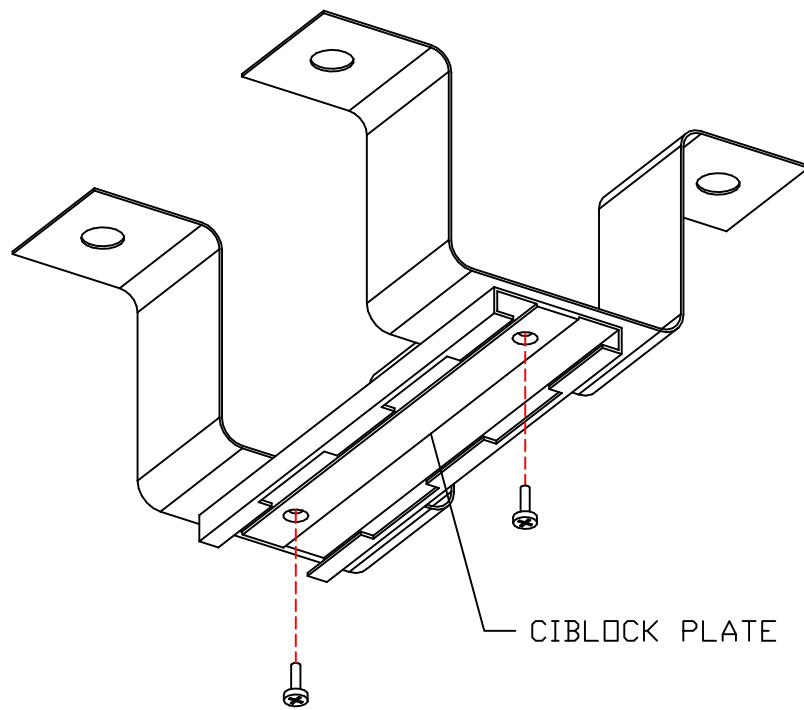
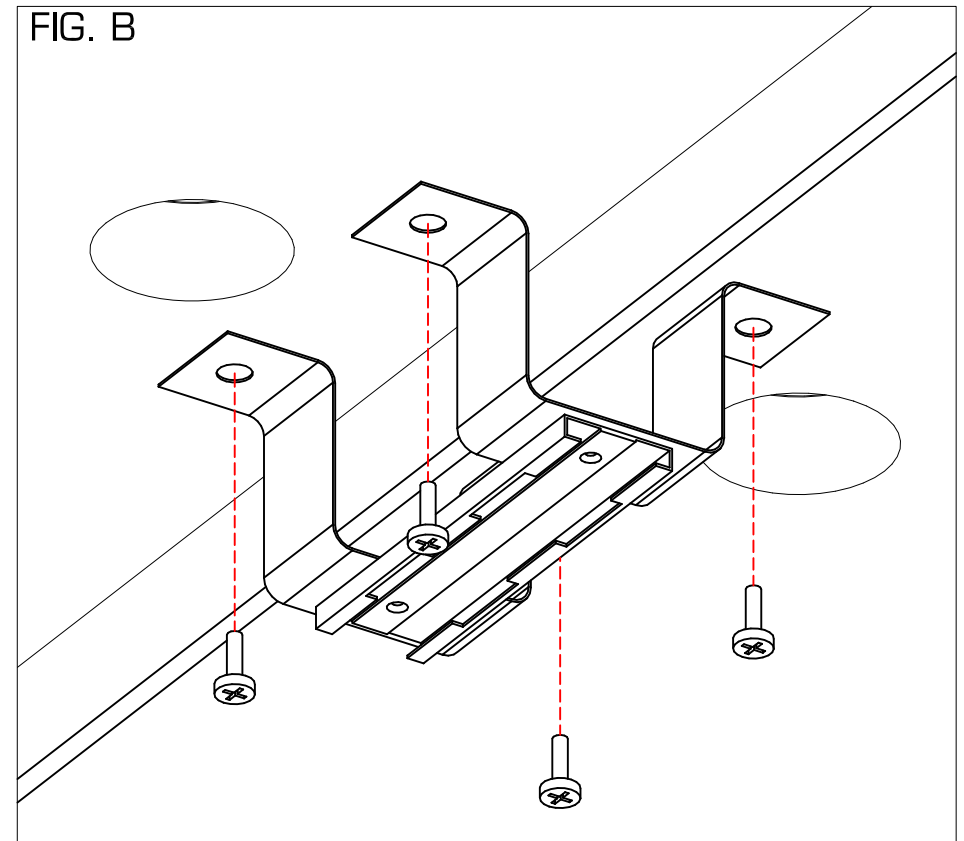
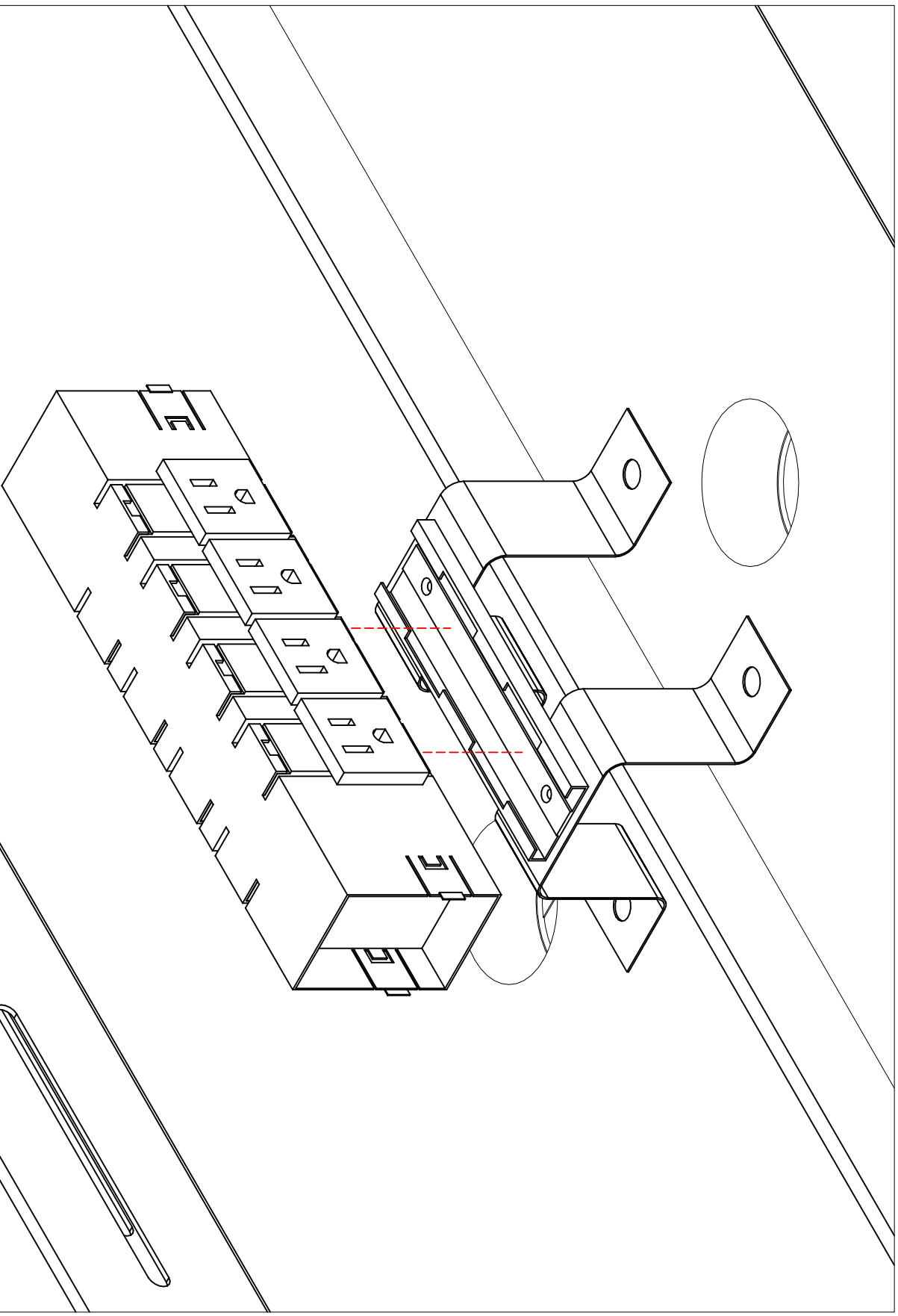


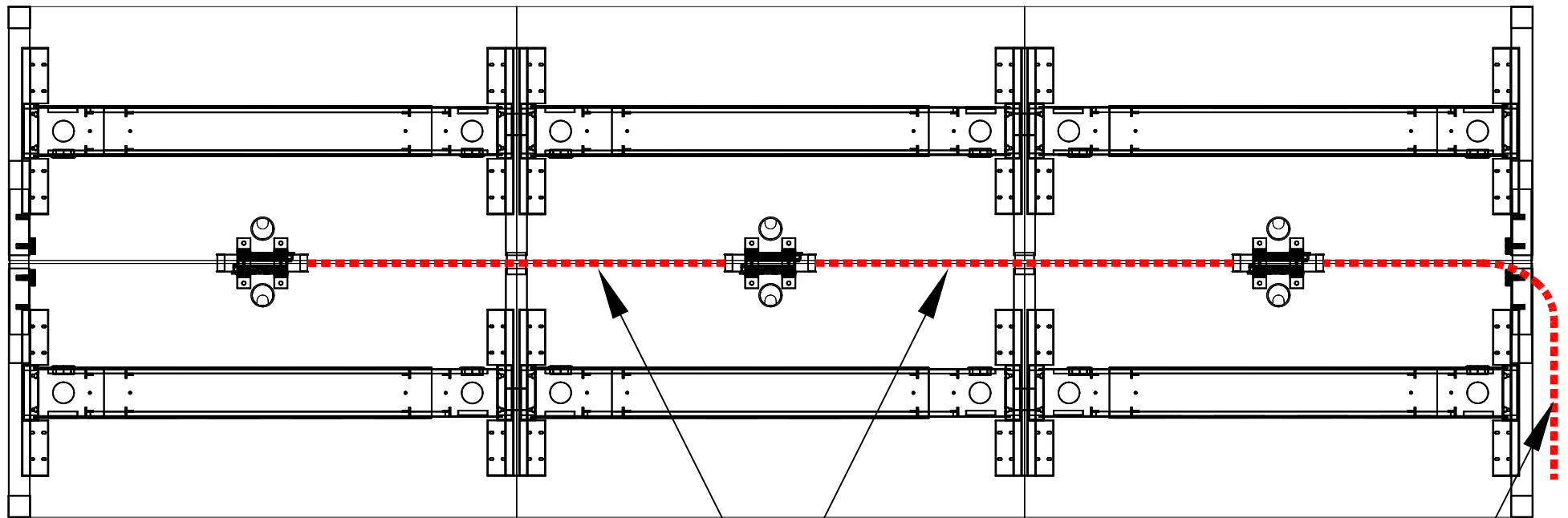
FIG. B



3. INSERT DOUBLE BLOCK ASSEMBLY INTO BLOCK PLATE AS SHOWN, SIDE TO RIGHT OR LEFT TO LOCK INTO PLATE.



4. ROUTE BASE IN FEED AND JUMPER CABLES AS SHOWN BELOW.



JUMPER CABLE
(LENGTH OF JUMPER WILL REFLECT LENGTH OF WORKSURFACES)

BASE INFEED