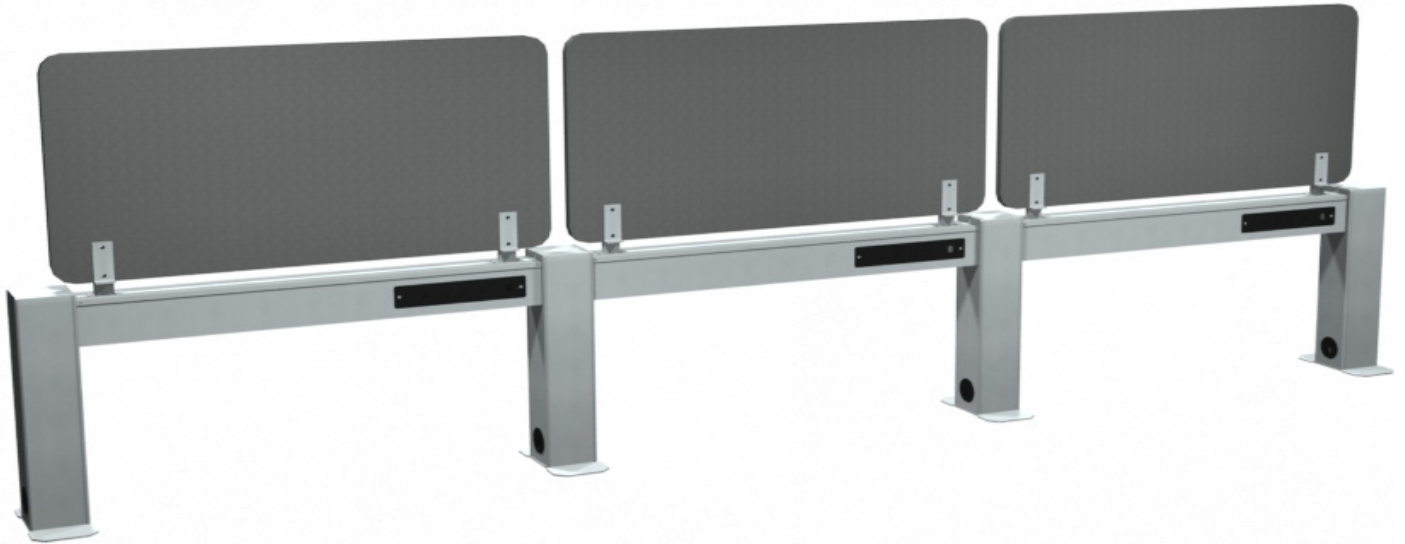


# Power Beam

## Specification Guide



Each end leg comes standard with feet, 2 grommets, and top cap.  
Shared legs come standard with feet, 2 grommets, and top cap. (June 2020 the Shared legs will provide 2 way, 3 way and 4 way connections.)

Beam troughs come standard with top cap, 2 power panels with 3 plugs, 2 USB and 1 RJ45 knock out, and each power panel has a 110 plug on the end to plug into power.

Fabric Screens/Brackets sold separate

In single applications, the plug can be routed out the grommet in the end leg, and plugged directly into the wall.

In 2 or more beams in a row, internal power blocks, jumpers, and a base in feed are required to connect to the building power (*Building connection REQUIRED by an Electrician*), and the power panels are plugged into the power blocks inside the trough channel to power the external power panel.

### Example of how to specify Power Beam above Power Beam System with Daisy Chain Power

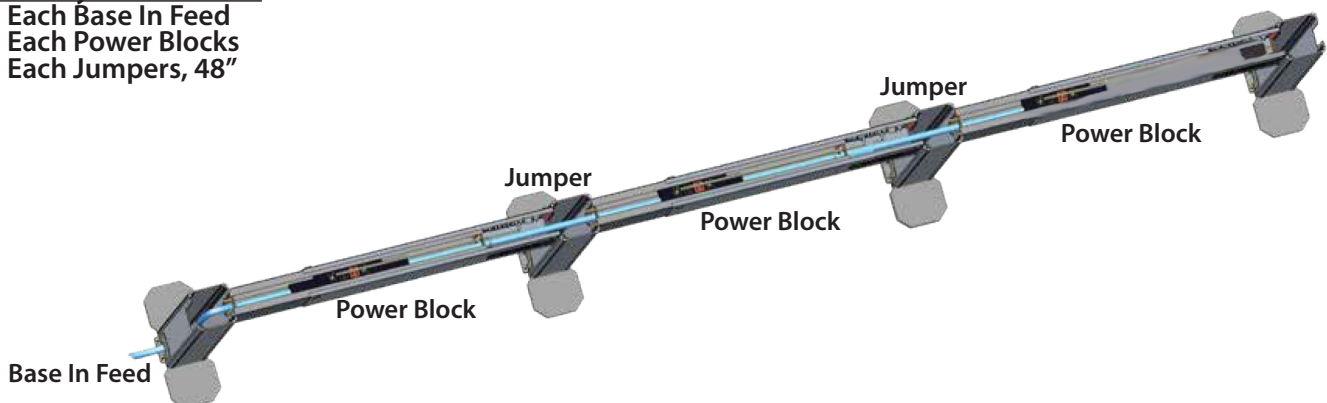
- 2 Each End Legs
- 2 Each Shared Legs
- 3 Each 48" Beam Troughs
- 3 Each 48" Fabric Screens with Brackets

#### To Daisy Chain Power:

- 1 Each Base In Feed
- 3 Each Power Blocks
- 2 Each Jumpers, 48"

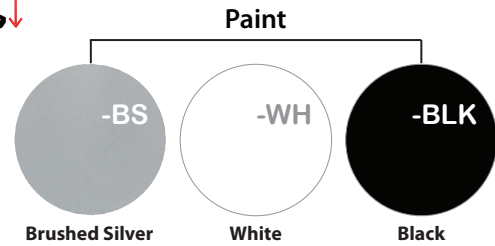
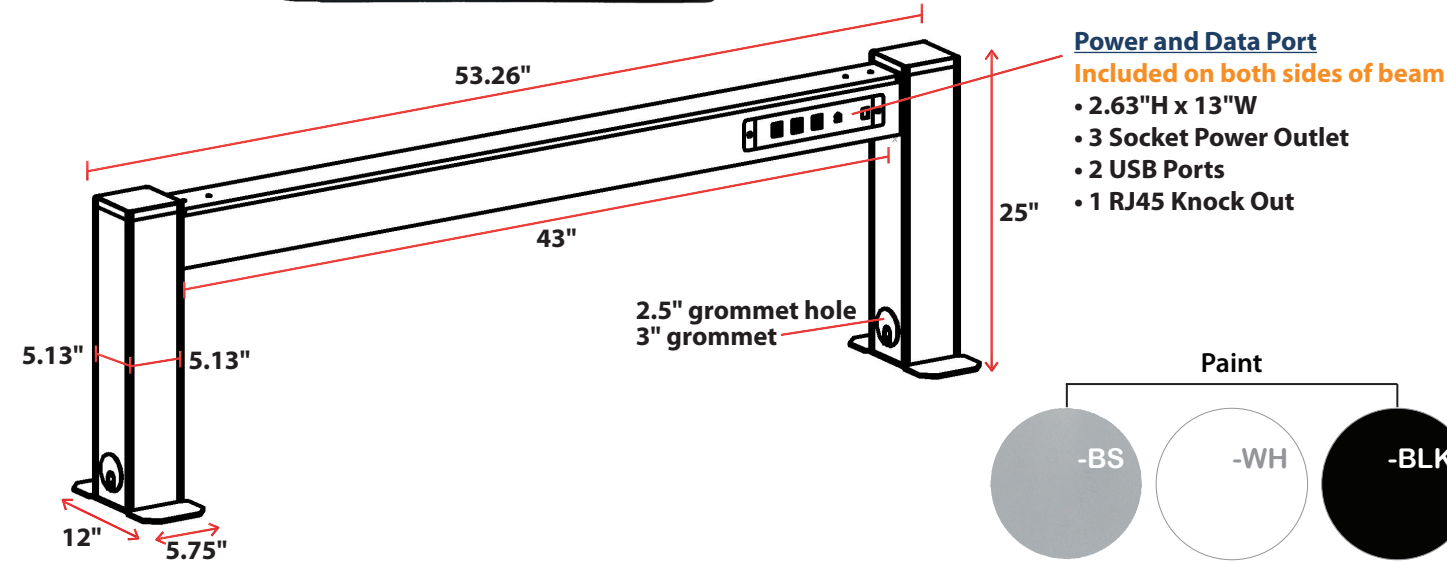


Power Panel on each side of Trough

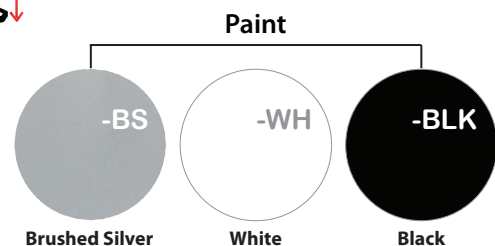
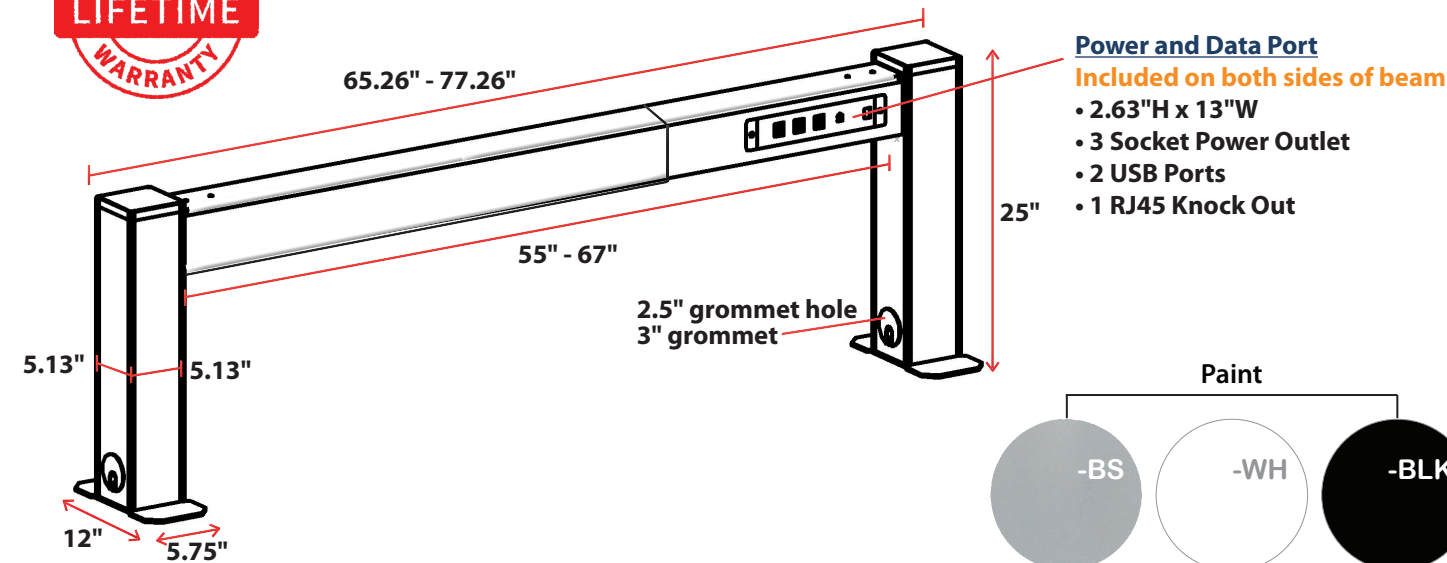




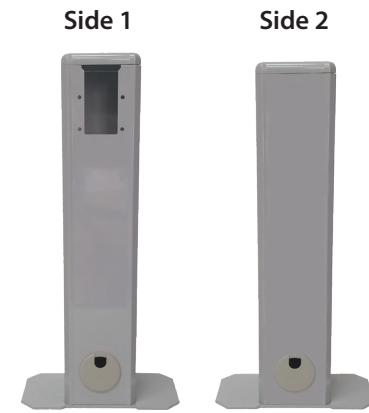
**OFD-PBEAM43-**  
Fixed Elevated Power Trough For 48" Benching



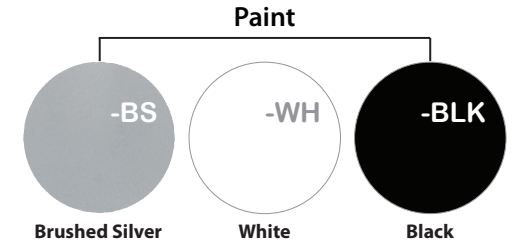
**OFD-PBEAM6072-**  
Adjustable Elevated Power Trough For 60"-72" Benching



**OFDBEAMENDLEG-**  
Power Beam End Leg



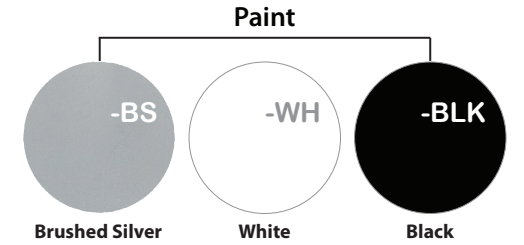
- Metal Leg
- 2 Grommets
- Leg Post 5.25"W x 5.25"D x 25.25"H
- Foot 12" x 5.75"
- Brushed Silver, White, or Black Paint



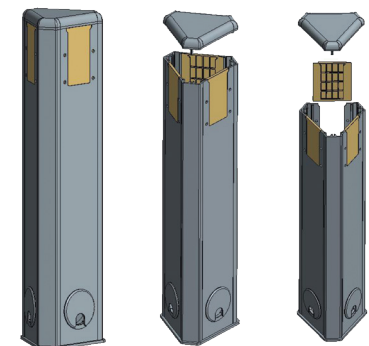
**OFDBEAMSHAREDLEG-**  
Power Beam Shared Leg



- Metal Leg
- 2 Grommets
- Can make 2 way, 3 way, or 4 way connection
- Leg Post 5.25"W x 5.25"D x 25.25"H
- Foot 12" x 5.75"
- Brushed Silver, White, or Black Paint



**OFDBEAM120LEG-**  
Power Beam 120° Shared Leg



- Metal Leg
- 3 Grommets
- Leg Post 5.25" x 5.25" x 5.25" x 25.25"H
- Brushed Silver, White, or Black Paint

