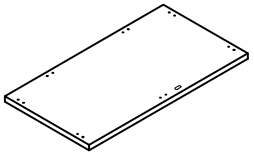
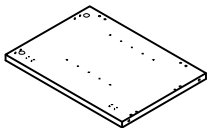
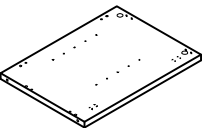
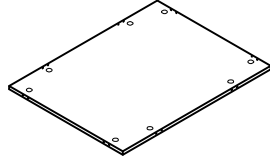
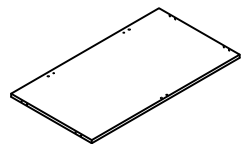

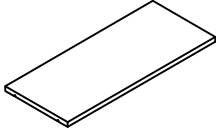
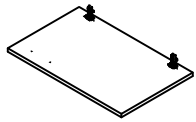
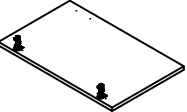
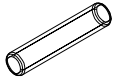
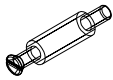
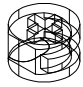

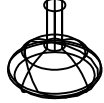







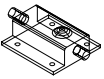
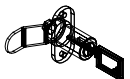
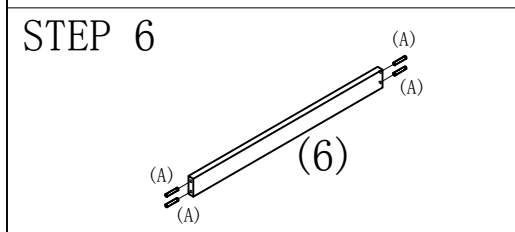
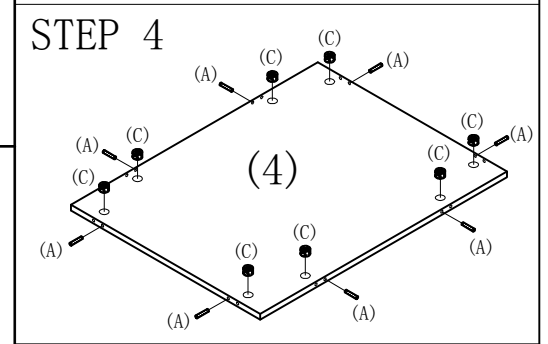
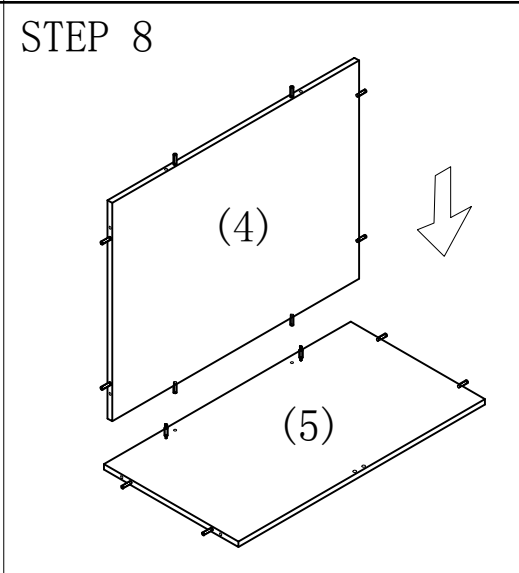
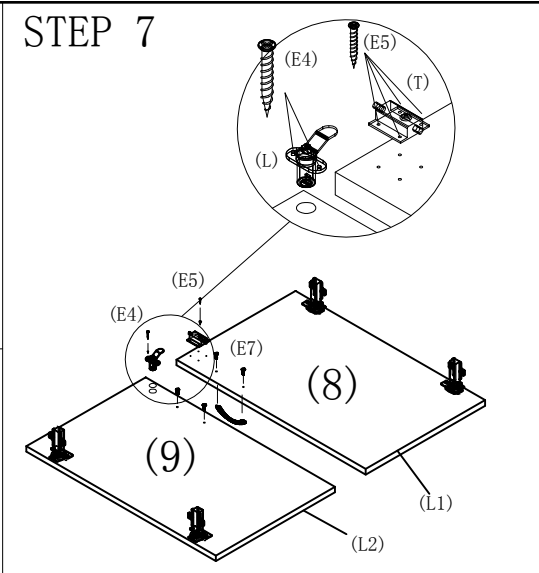
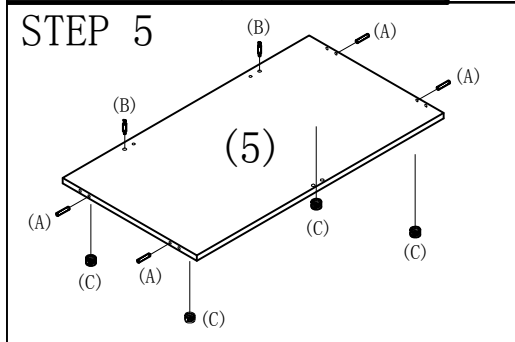
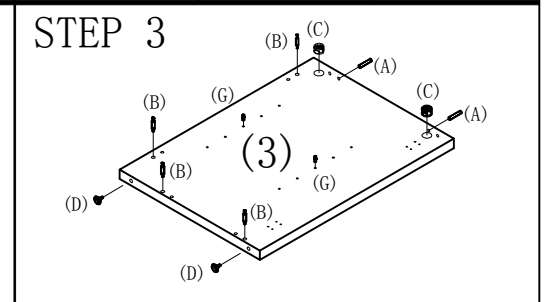
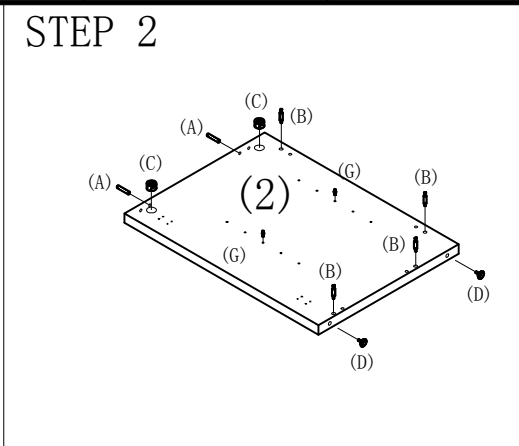
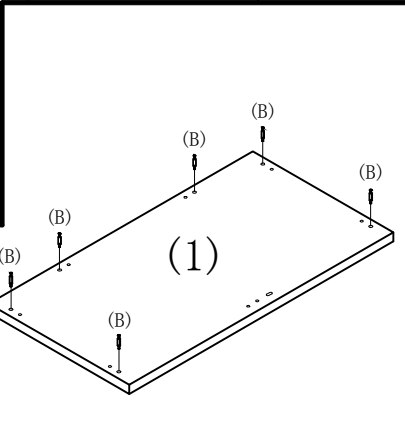


(1) Top  1PC	(2) End Panel  1PC	(3) End Panel  1PC	(4) Back Panel  1PC	(5) Bottom Panel  1PC	(6) Center Upright  1PC	(7) Shelf  1PC	(8) Door (L1)  1PC		
(9) Door (L2)  1PC	(A) Dowel  20PCS+1	(B) Cam Pin  16PCS+1	(C) Cam Lock  16PCS+1	(p) Adhesive Cam Cover  16PCS+1	(D) Leg Leveller  4PCS	(G) Shelf Pin  4PCS+1	(E0) Wood Screw  16+2PCS	(E5) Wood Screw  4+1PCS	(E7) Cap Screw  4PCS

(M1) Cushion  4PCS	(H) Handle  2PCS	(E4) Wood Screw  2PCS
(T) Latch  1PC	(L) Lock  1PC	



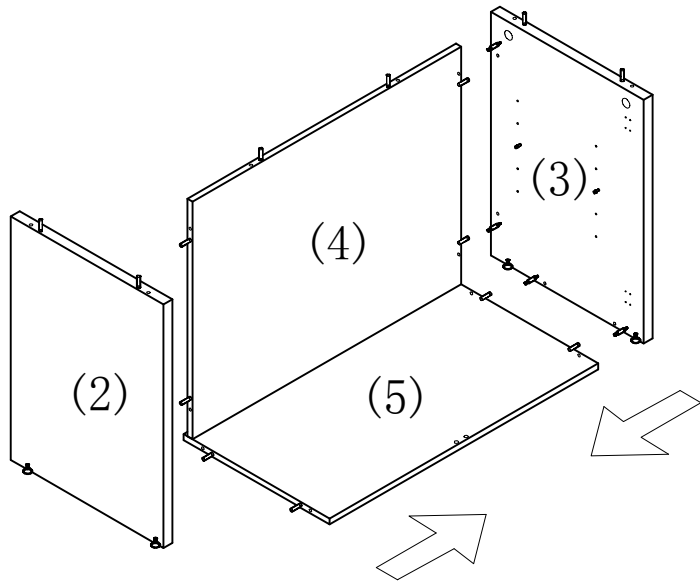
**it.**  
office furniture distributors

STORAGE CABINET 34.5"W x 22"D x 29"H

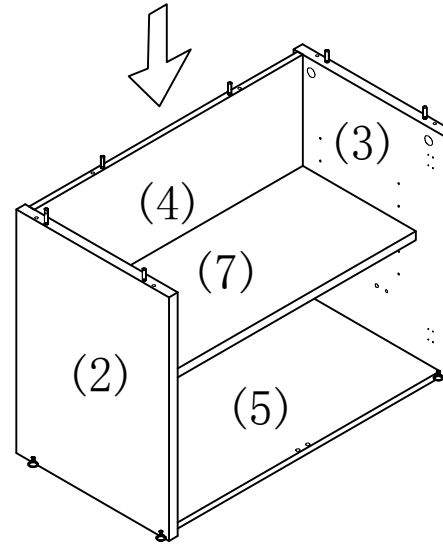
**N13**

*Always lay components on a clean, soft-cushioned surface during assembly.*

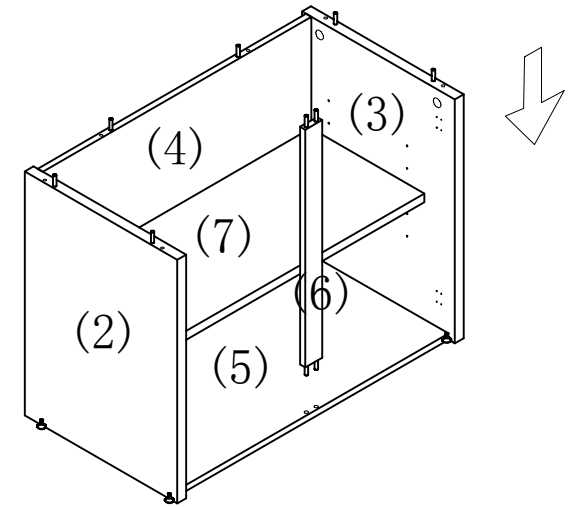
STEP 9



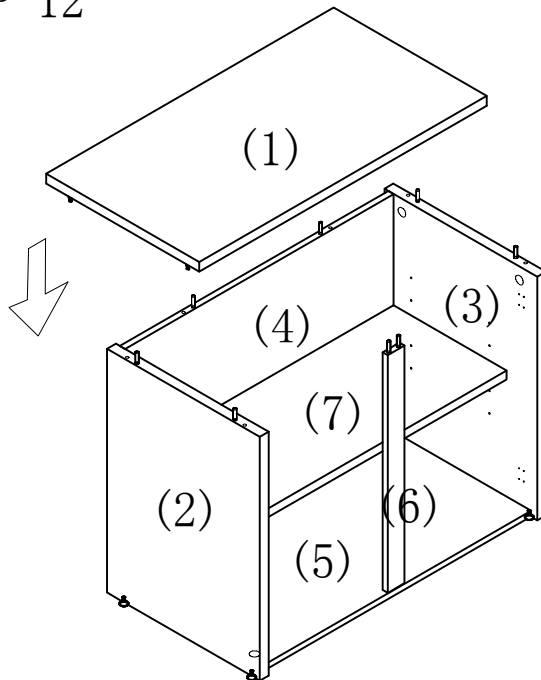
STEP 10



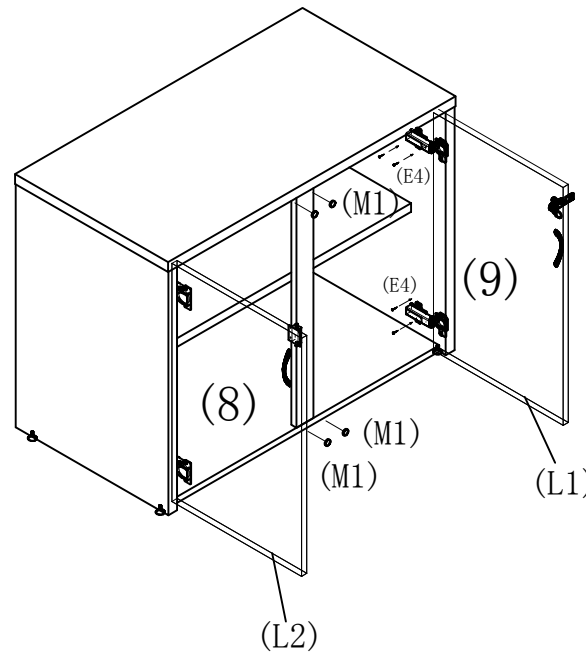
STEP 11



STEP 12



STEP 13



**it.**  
office furniture distributors

STORAGE CABINET 34.5"W x 22"D x 29"H

**N13**

*Always lay components on a clean, soft-cushioned surface during assembly.*