
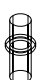


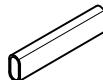
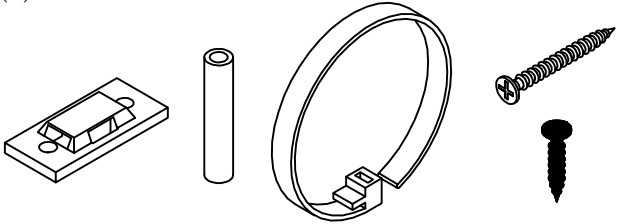
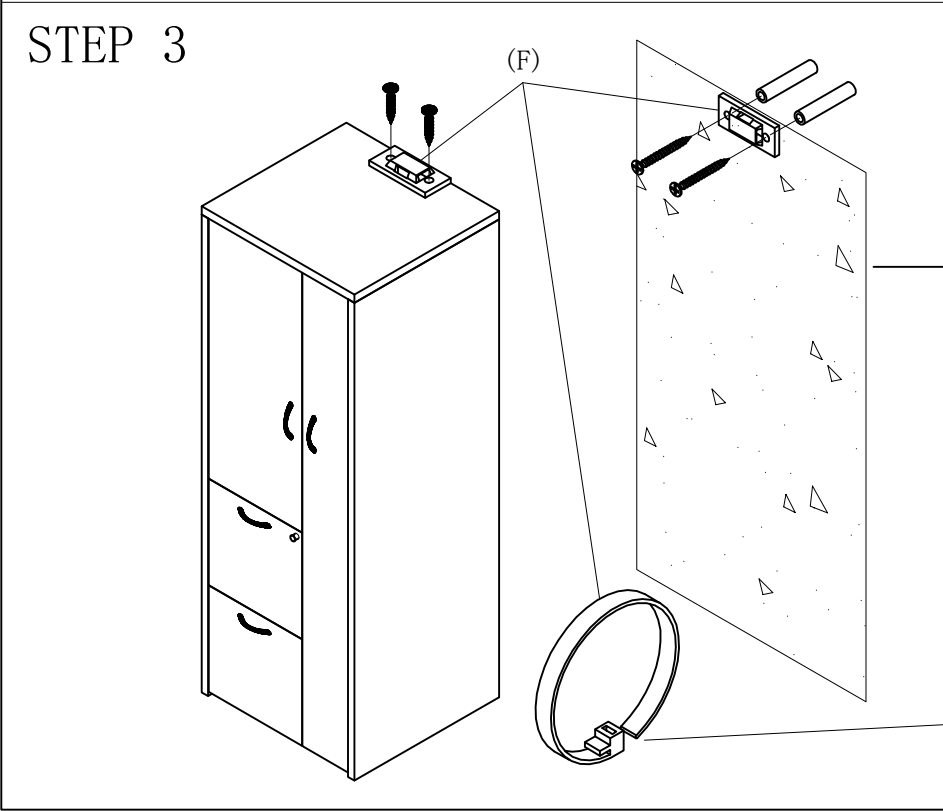
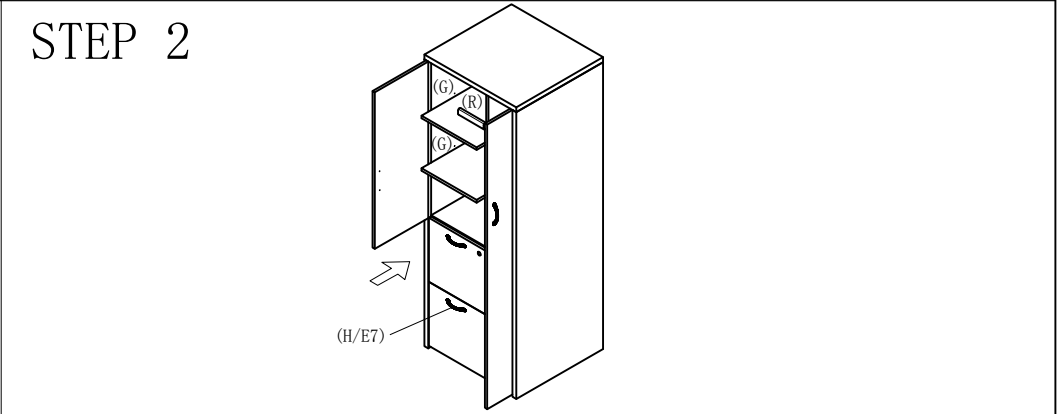
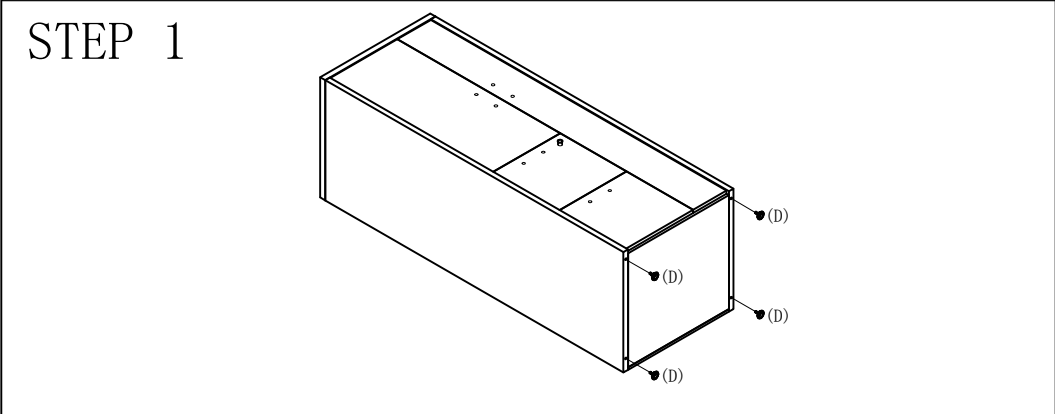
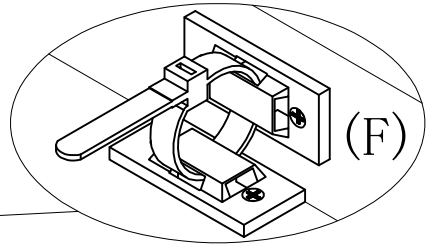


(H) Handle  4PCS	(G) Shelf Pin  8PCS+1	(D) Leg leveller  4PCS	(E7) Cap Screw  8PCS	(R) Dress Pole  1PC	(F) Wall-attachment kits  1PC
---	--	---	--	--	---



1. Affix 1st wall-attachment bracket to the top of Cabinet, at rear/center, using (2) SHORT screws.
 2. Affix 2nd wall-attachment bracket to the wall, using (2) wall anchors and (2) LONG screws.
- Note:** Locate the 2nd bracket 1/4" higher than the 1st bracket (now located on the top of the bookcase). Align 2nd bracket left/right with the 1st bracket.
3. Connect wall-attachment brackets with plastic cable tie.




office furniture distributors

WARDROBE CABINET 22.5"W x 24"D x 65"H
N152
Always lay components on a clean, soft-cushioned surface during assembly.