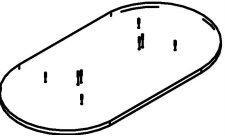
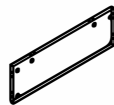

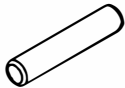


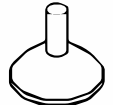


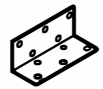
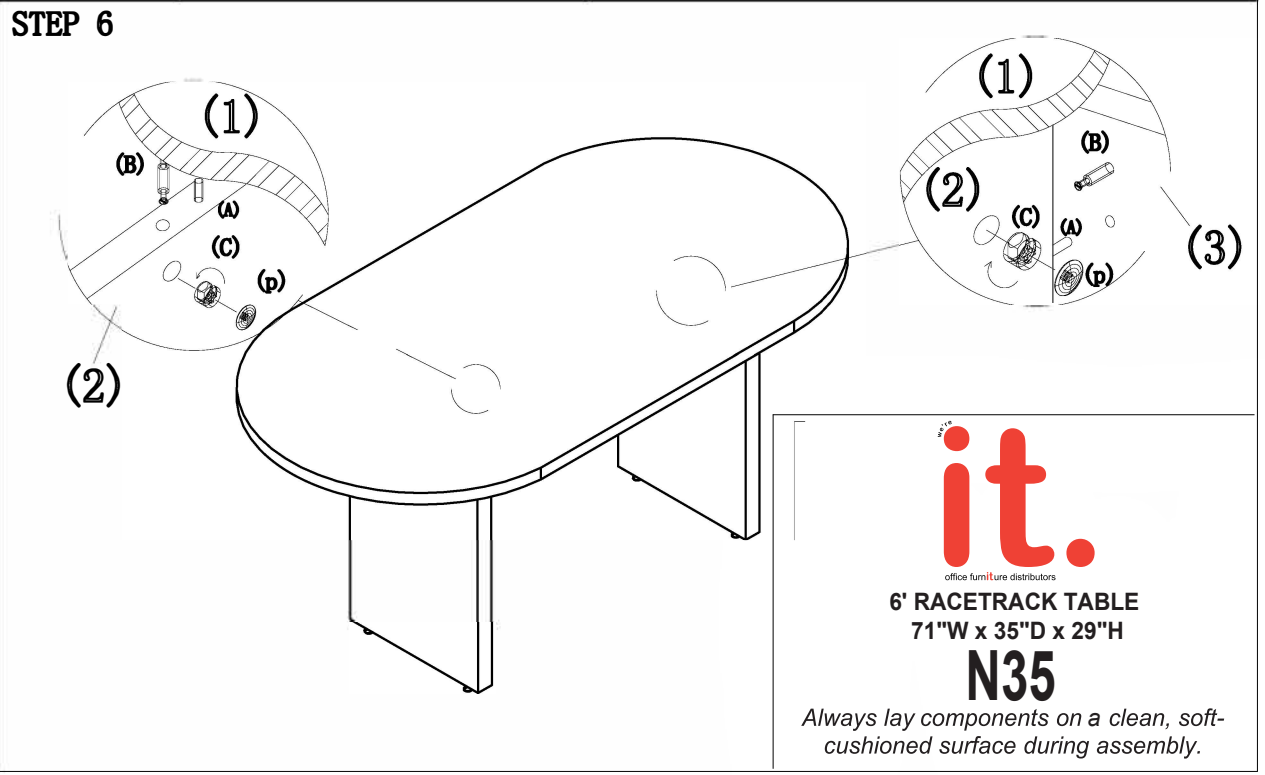
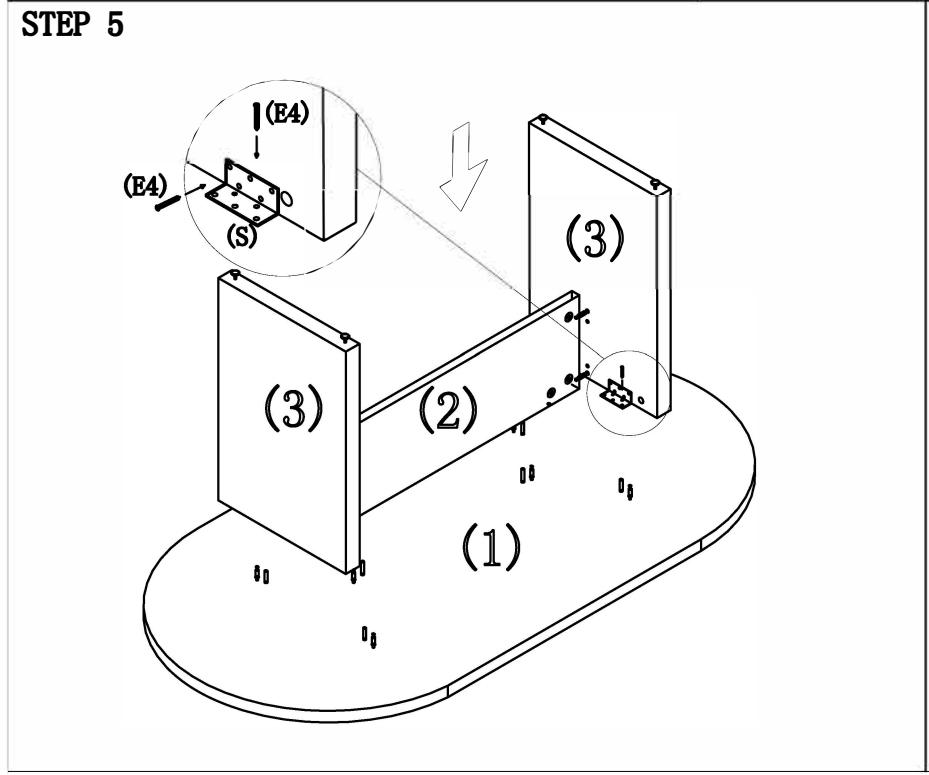
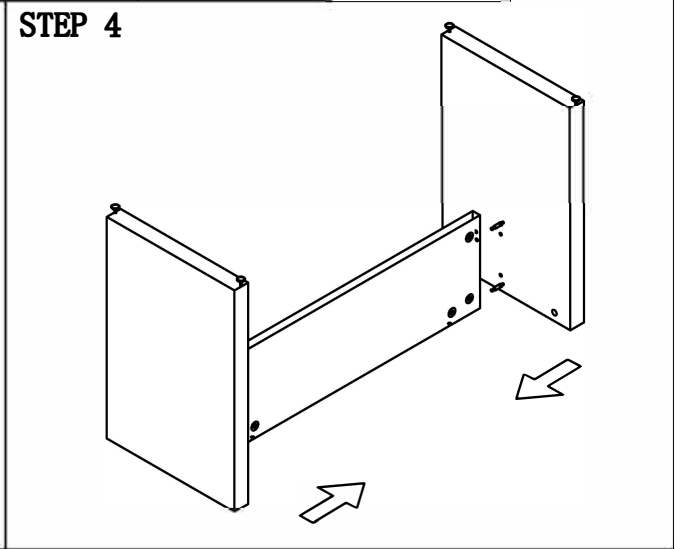
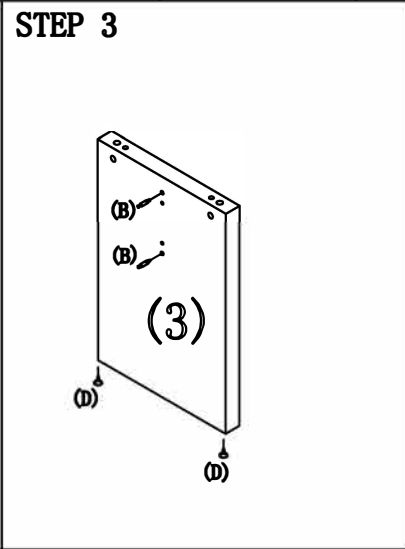
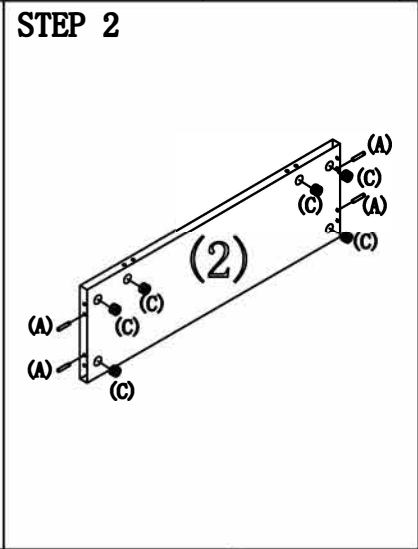
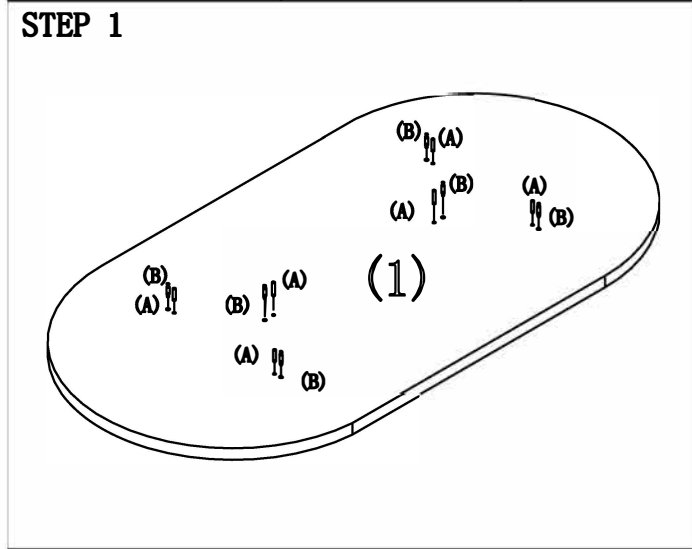


<p>(1) Top</p>  <p>1PCS</p>	<p>(2) Center Support</p>  <p>1PCS</p>	<p>(3) Base</p>  <p>2PCS</p>	<p>(A) Dowel</p>  <p>10PCS+1</p>	<p>(B) Cam Pin</p>  <p>10PCS+1</p>	<p>(C) Cam Lock</p>  <p>10PCS+1</p>	<p>(D) Leg Leveller</p>  <p>4PCS</p>	<p>(p) Cam Cover</p>  <p>10PCS+1</p>	<p>(E4) Wood Screw</p>  <p>40PCS+2</p>	<p>(S) Corner Bracket</p>  <p>4PCS</p>
--	--	--	---	--	---	--	---	--	---



**it.**  
office furniture distributors

**6' RACETRACK TABLE**  
71"W x 35"D x 29"H

**N35**

*Always lay components on a clean, soft-cushioned surface during assembly.*