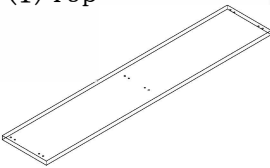
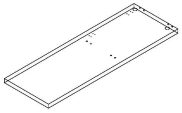
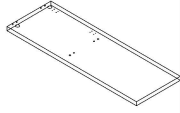
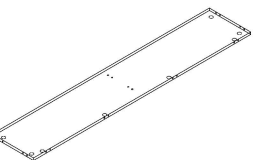
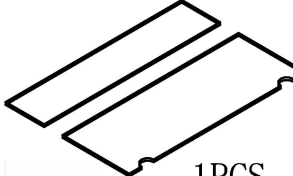

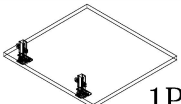
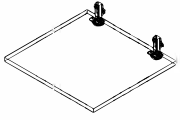

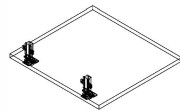
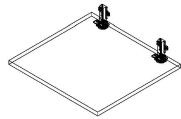
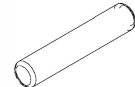
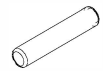
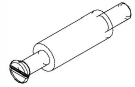
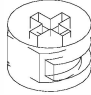

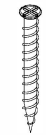
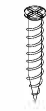
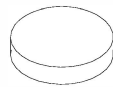

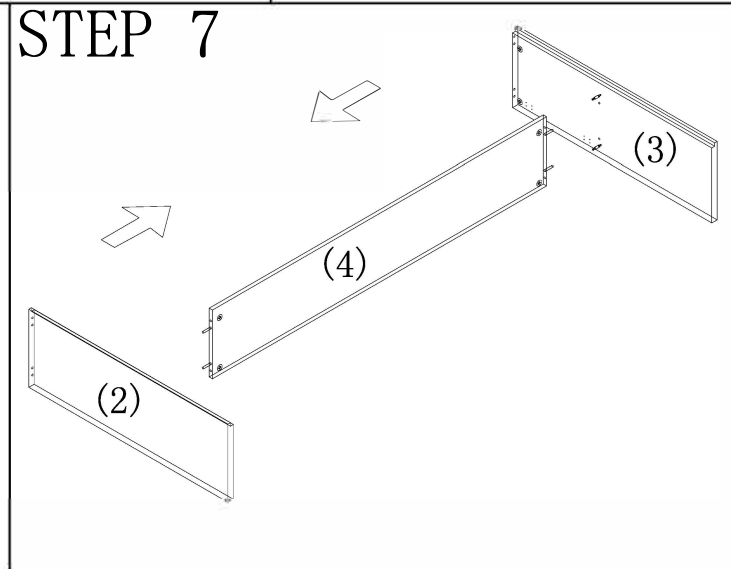
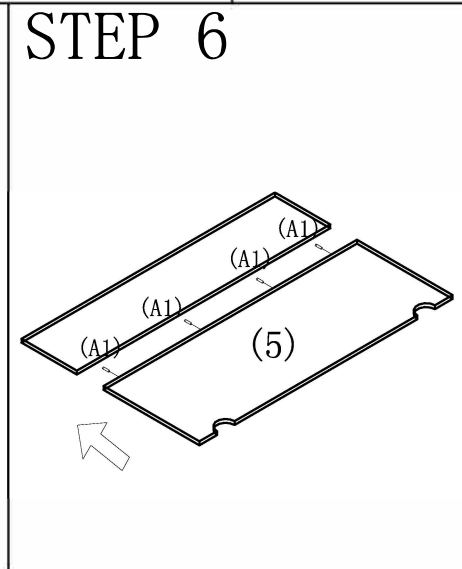
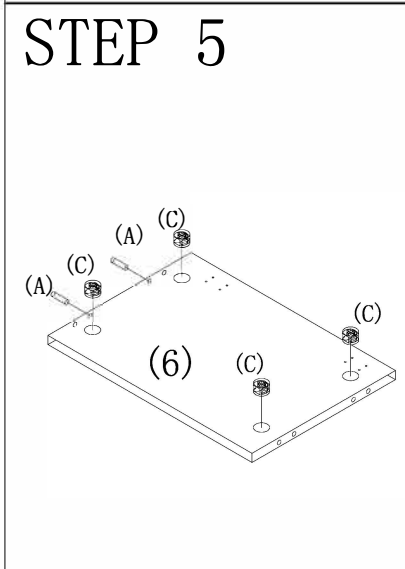
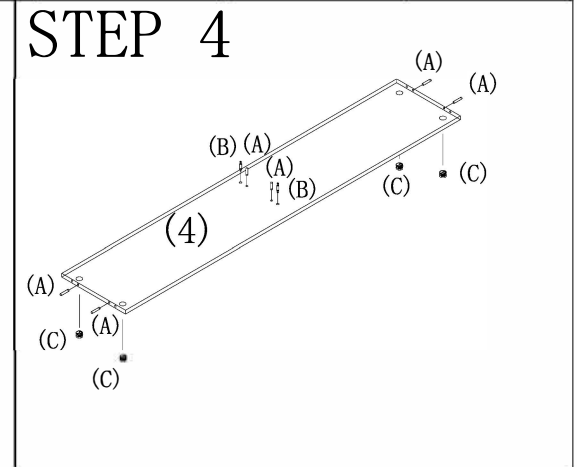
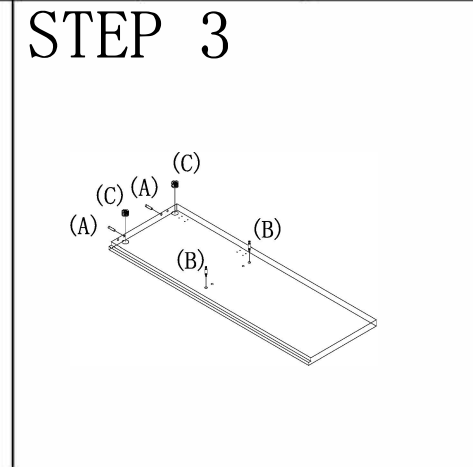
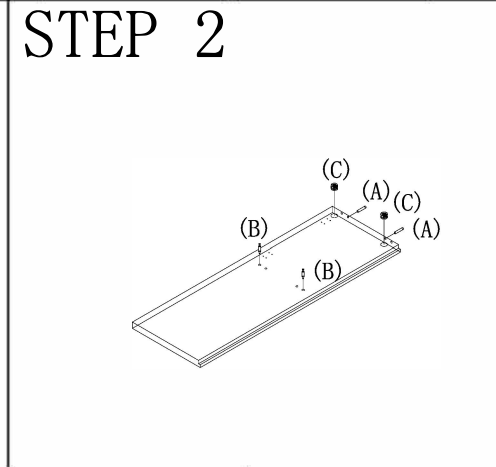
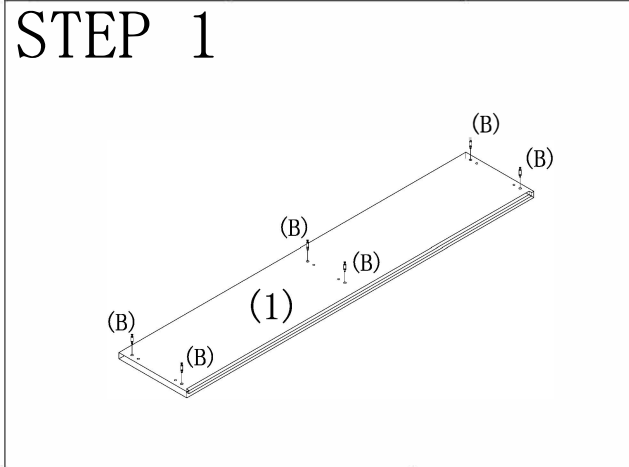
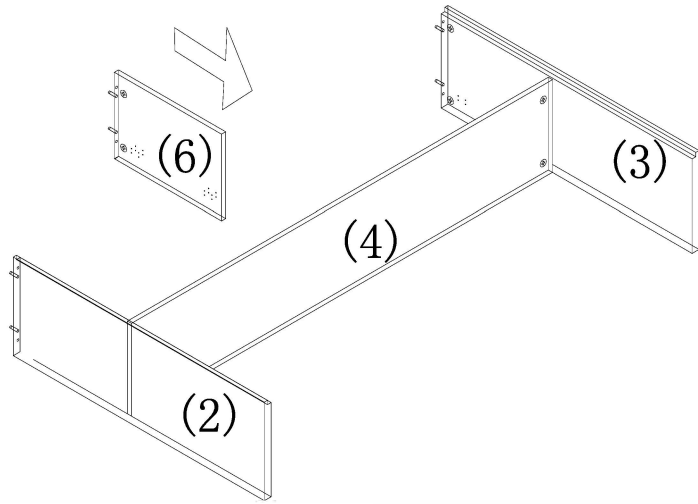


(1) Top  1PCS	(2) End Panel  1PCS	(3) End Panel  1PCS	(4) Shelf  1PCS	(5) Back Panel  1PCS	(6) Center Support  1PCS	(7) Door (L1)  1PCS	(8) Door (L2)  1PCS	(R) Flat Bracket  2PCS		
(9) Door (L3)  1PCS	(10) Door (L4)  1PCS	(A) Dowel  12PCS+1	(A1) Dowel  4PCS	(B) Cam Pin  12PCS+1	(C) Cam Lock  12PCS+1	(p) Cam Cover  12PCS+1	(E3) Wood Screw  20PCS+2	(E0) Wood Screw  44PCS+2	(M) Cushion  4PCS	(M1) Cushion  4PCS

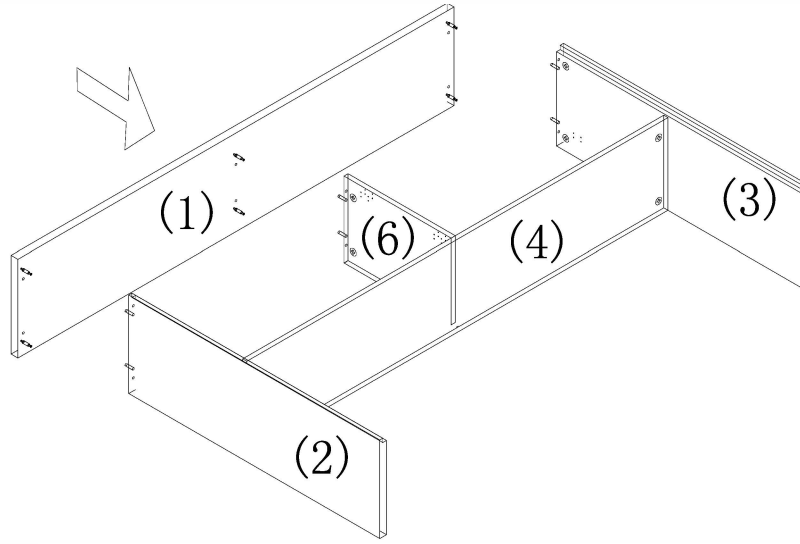



OVERHEAD HUTCH w/ DOORS
66"W x 15"D x 36"H
N39
Always lay components on a clean, soft-cushioned surface during assembly.

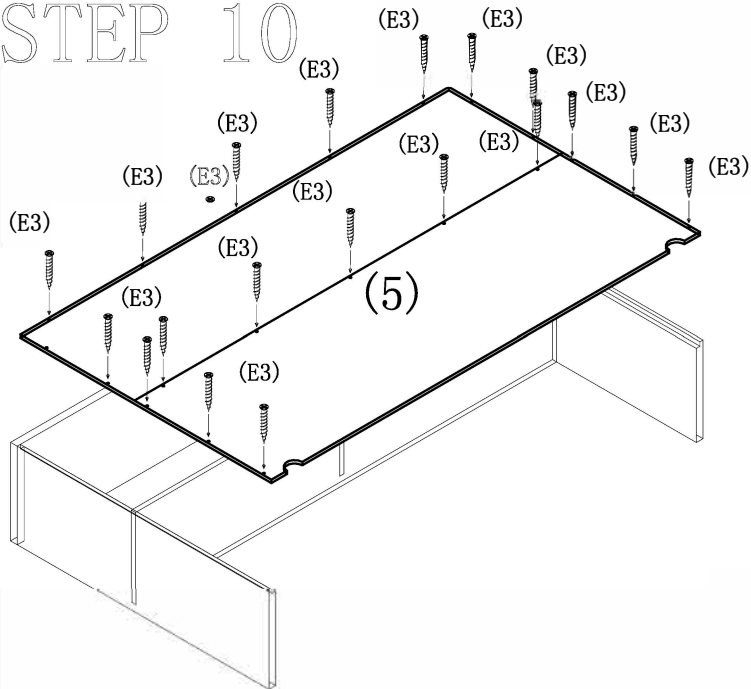
STEP 8



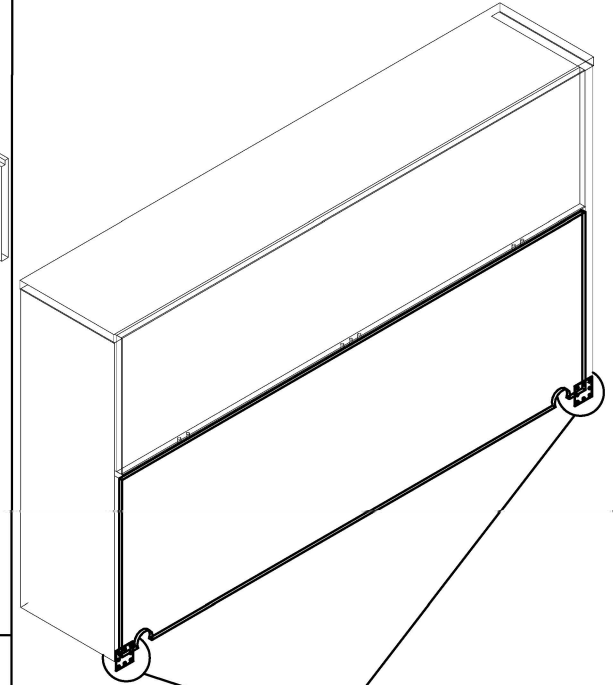
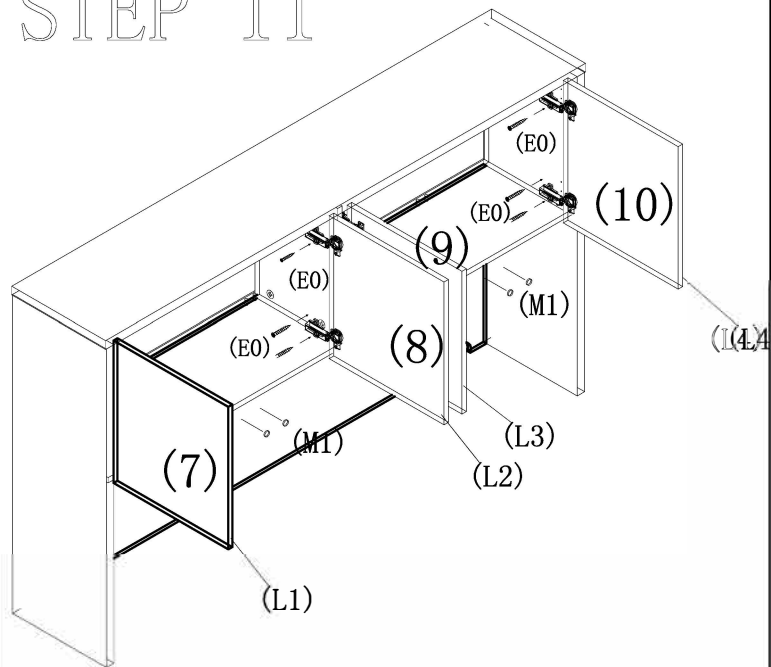
STEP 9



STEP 10



STEP 11



it.
office furniture distributors

OVERHEAD HUTCH w/ DOORS

66"W x 15"D x 36"H

N39

Always lay components on a clean, soft-cushioned surface during assembly.