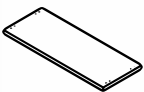
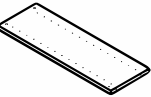
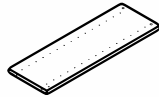
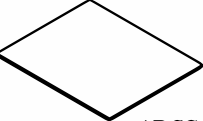










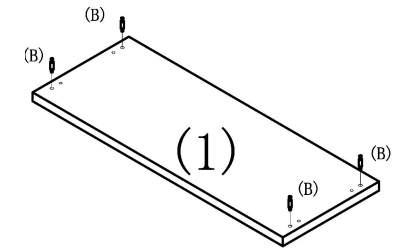
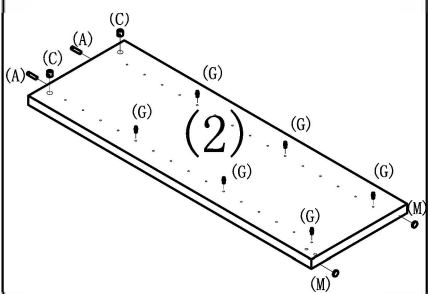


(1) Top 1PCS 	(2) End Panel 1PCS 	(3) End Panel 1PCS 	(4) Back Panel 1PCS 	(5) Shelf 2PCS 	(A) Dowel 4PCS+1 	(M) Cushion 4PCS 
(B) Cam Pin 4PCS+1 	(C) Cam Lock 4PCS+1 	(G) Shelf Pin 8PCS+2 	(p) Cam Cover 4PCS+1 	(E3) Wood Screw 11PCS+1 	(E4) Wood Screw 12PCS+1 	(R) Flat Bracket 2PCS 

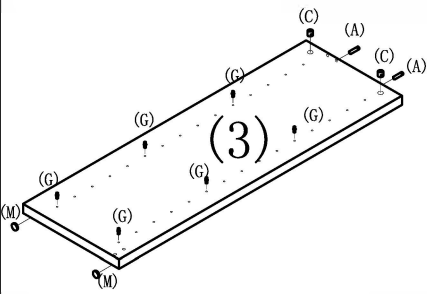
STEP 1



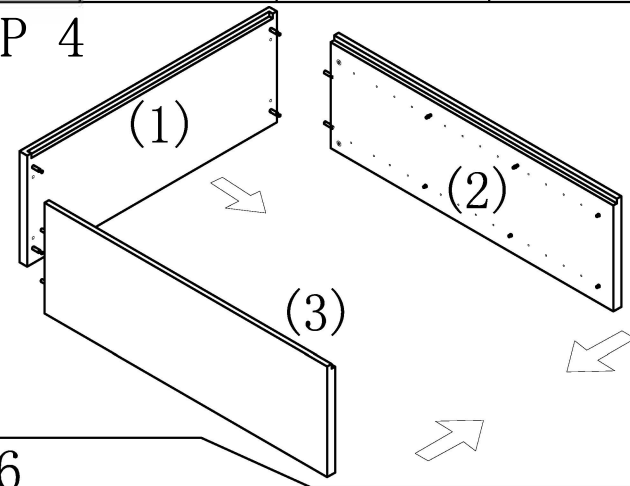
STEP 2



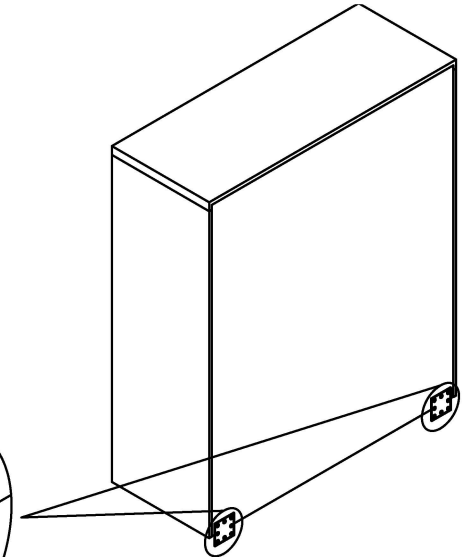
STEP 3



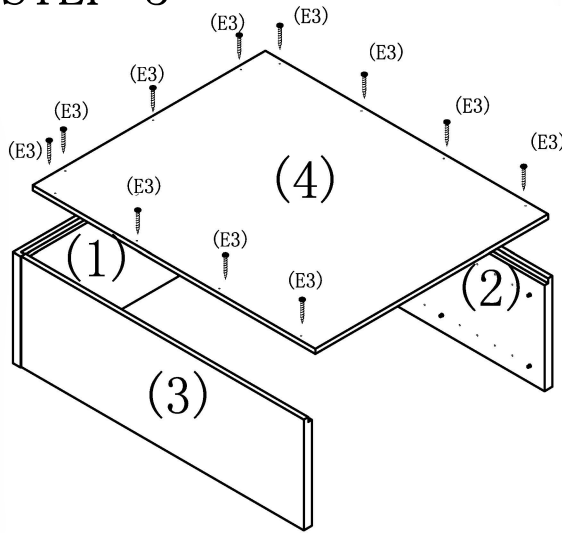
STEP 4



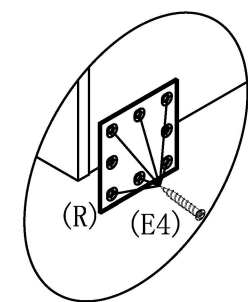
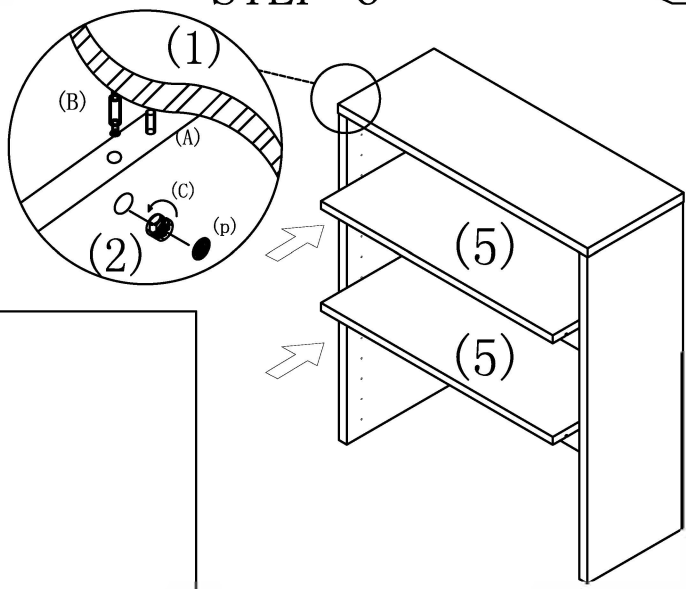
STEP 7



STEP 5



STEP 6



it.
office furniture distributors

OPEN HUTCH
34.5"W x 14"D x 36"H

N53

Always lay components on a clean, soft-cushioned surface during assembly.