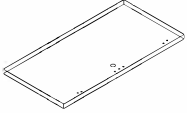
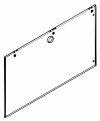

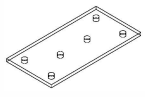
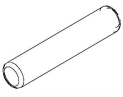
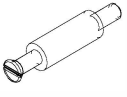
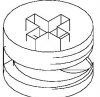
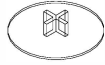


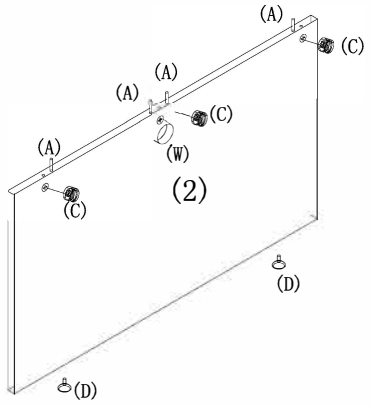
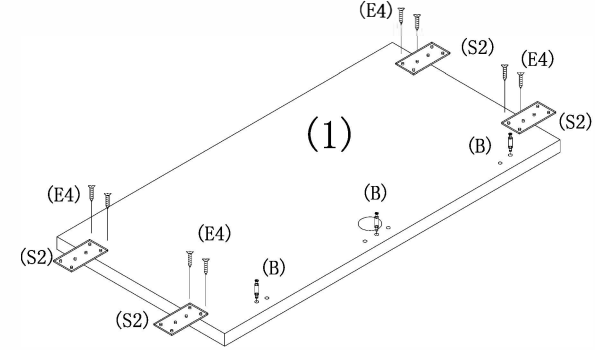


(1) Top  1PCS	(2) modesty Panel  1PCS	(W) Grommet  2PCS	(S2) Flat bracket  6PCS	(A) Dowel  4PCS+1	(B) Cam Pin  3PCS+1	(C) Cam Lock  3PCS+1	(p) Cam Cover  3PCS+1	(E4) Wood screw  36PCS+3	(D) Leg leveller  2PCS
---	---	--	--	--	---	---	--	---	---

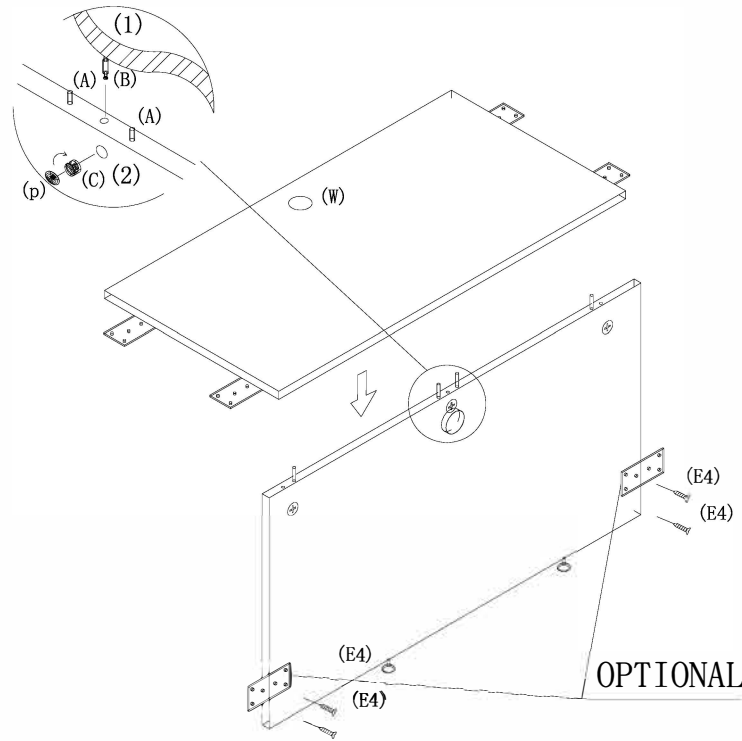
STEP 1



STEP 2



STEP 3



it.
office furniture distributors

BRIDGE 42"W x 24"D x 29"H

N98

Always lay components on a clean, soft-cushioned surface during assembly.