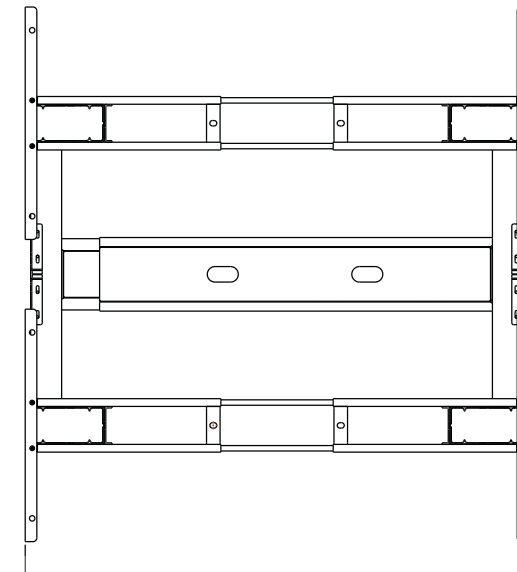
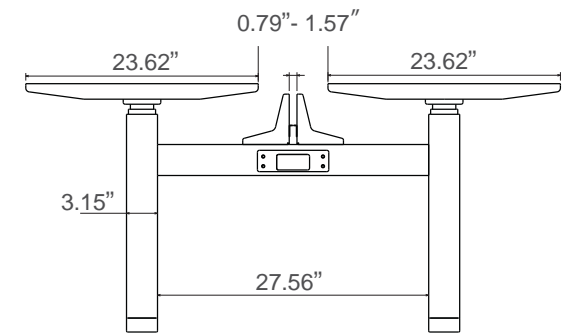
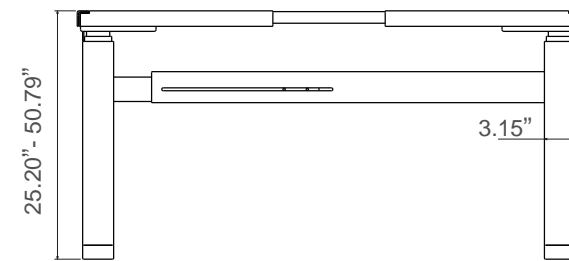


## OFD-CI3DBLELBASE- 3 Stage Double Electric Height Adjustable Base

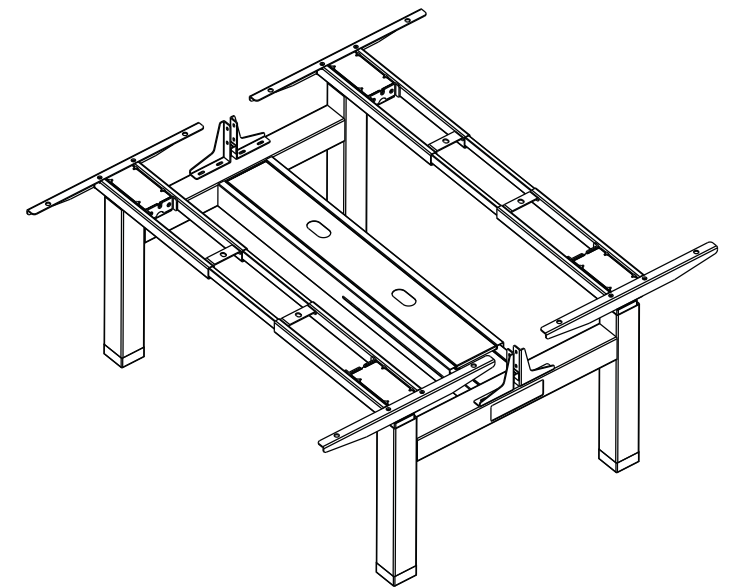
## OFD-CI3DBLELBASE- 3 Stage Double Electric Height Adjustable Base



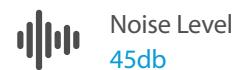
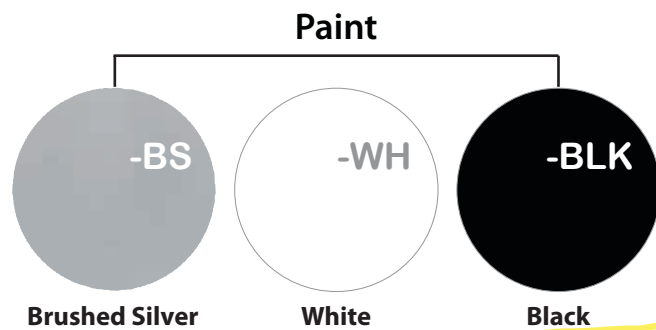
(-BS) Brushed Silver



(49.21" - 62.60")



3 Memory Controller  
with 2 USB Ports



Noise Level  
45db



Warranty Period  
Lifetime Limited

Smart L-type Products  
Automatic Lifting



RoHS

TYPE	DATA
Leg Shape	Square
Frame Height Adjustable Range	25.20" - 50.79" (Top adds 1.1")
Frame Adjustable Range	W(49.21-62.60")*D(23.62")
Foot Length Size	3.15" x 3.15"
Speed	1.6" /second
Maximum Lifting Capacity	264 lbs
Input	100-240V