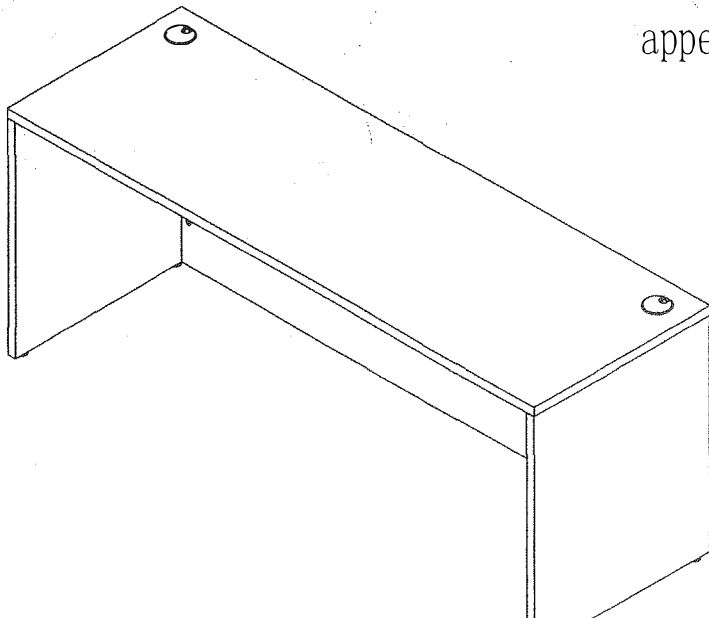
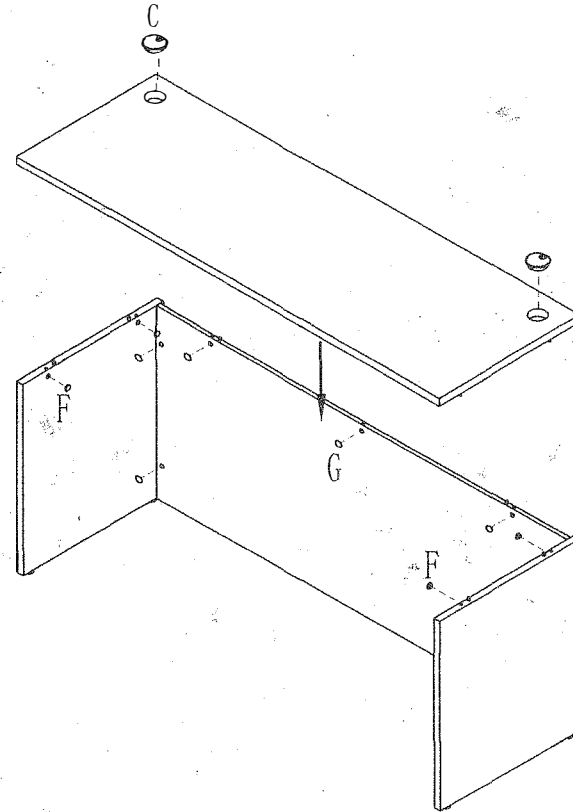
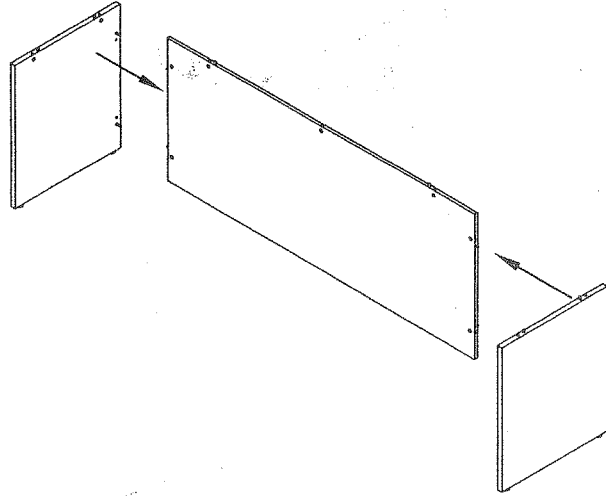


IMPORTANT NOTE:

- Place all laminated parts on a clean and smooth surface such as a rug or carpet to avoid the parts from being scratched.
- Check to be sure that you have all parts and hardware.
- Remove all wrapping materials, including staples & packing straps before you start to assemble.
- Do not tighten any screws/bolts until all completely assembled.

Assembly Instructions
MODEL NO.: OFD143
 CREDENZA SHELL



appearance

Hardware

NO.	sample. pc	name	QTY
A		Cam	11
B		Connector	11
C		Grommet	2
D		Glider	4
E		Dowel	10
F		Cam lid(deep)	4